



PARTS BOOK

SKID LOADER HEADS

• ROTARY •

DIAMOND MOWERS, Inc.
350 E 60th St. North
Sioux Falls, SD 57104

FOR WARRANTY CALL DIAMOND MOWERS DIRECT:
888-960-0364

OUR TECHNICIANS WILL DIAGNOSE YOUR SITUATION
OVER THE PHONE TO GET YOU UP AND RUNNING QUICKLY.

Phone: 605-977-3300
Fax: 605-655-5870
www.diamondmowers.com

DEMAND BRILLIANCE.

© DIAMOND MOWERS, INC.



Foreword

This manual contains the parts breakdown and identification of the various components and structures that make up your mower implement.

The illustrations, drawings, and diagrams in this manual are based on the latest information available at the time of publication. Your machine may have product improvements and features not yet contained in this parts manual.

Diamond Mowers Inc. reserves the right to make changes at any time without notice or obligation.

Diamond Mowers Inc.[™] and Wetblade[™] are trademarks of Diamond Mowers Inc.

This manual should be consulted prior and while assembling the unit, and anytime parts or assembly clarification is needed.

Copyright© 2016 Diamond Mowers Inc.

All rights reserved. While every precaution has been taken in the preparation of this manual, the publisher assumes no responsibility for errors or omissions. No part of this book covered by the copyrights heron may be reproduced or copied in any form or by any means - graphic, electronic, or mechanical, including photocopying, taping, or information storage and retrieval systems - without written permission of the publisher.



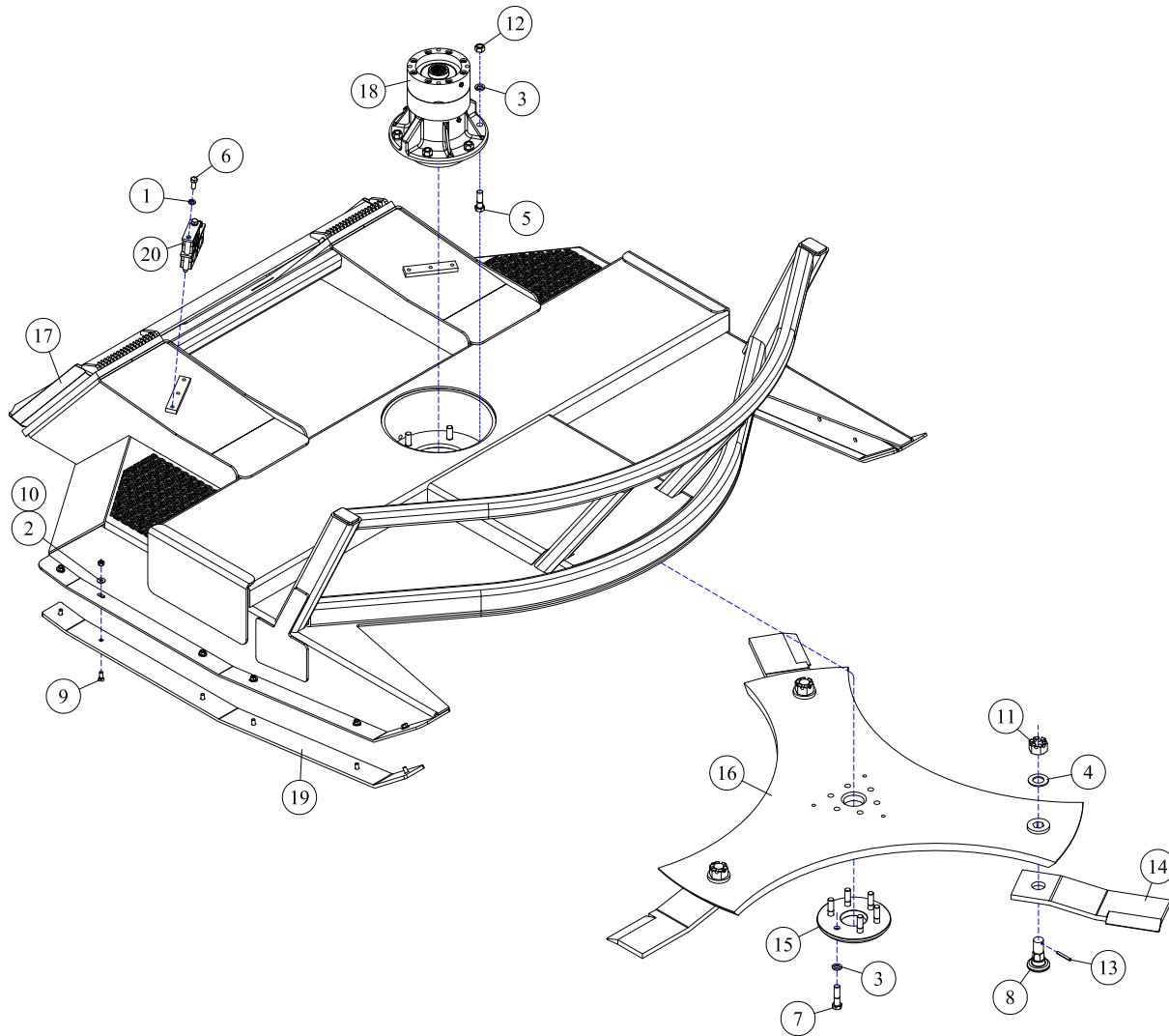
Table of Contents

ROTARY HEADS	4
ROTARY HEAD - 60" DECK, DIRECT DRIVE.....	5
ROTARY HEAD - 72" DECK, DIRECT DRIVE.....	6
ROTARY HEAD - 84" DECK, DIRECT DRIVE.....	7
WETBLADE™ HEADS	8
WETBLADE™ HEAD - 60" DECK.....	9
WETBLADE™ HEAD - 72" DECK.....	10
WETBLADE™ HEAD - 84" DECK.....	11
DRIVE ASSEMBLIES	12
HOW TO DETERMINE YOUR MOTOR PART NUMBER.....	13
DRIVE ASSEMBLY - 60", 16-28 GPM.....	14
DRIVE ASSEMBLY - 60", 20-46 GPM.....	15
DRIVE ASSEMBLY - 72", 17-41 GPM.....	16
DRIVE ASSEMBLY - 72", 17-28 GPM.....	17
DRIVE ASSEMBLY - 72", 26-32 GPM.....	18
DRIVE ASSEMBLY - 84", 32-40 GPM.....	19
DECK ASSEMBLIES	20
30-0515 - MOTOR ASSEMBLY.....	21
30-0518 - MOTOR ASSEMBLY.....	22
30-0520 - MOTOR ASSEMBLY.....	23
30-0524 - MOTOR ASSEMBLY.....	24
30-0527 - MOTOR ASSEMBLY.....	25
30-0528 - MOTOR ASSEMBLY.....	26
30-0529 - MOTOR ASSEMBLY.....	27
35-0088 - DIRECT DRIVE SPINDLE.....	28
80-2542 - DIRECT DRIVE WETBLADE™ SPINDLE.....	29
WETBLADE™ ASSEMBLIES	30
WETBLADE™ PUMP SYSTEM - LOW VOLUME.....	31
WETBLADE™ PUMP SYSTEM - ENCLOSURE.....	32

ROTARY HEADS



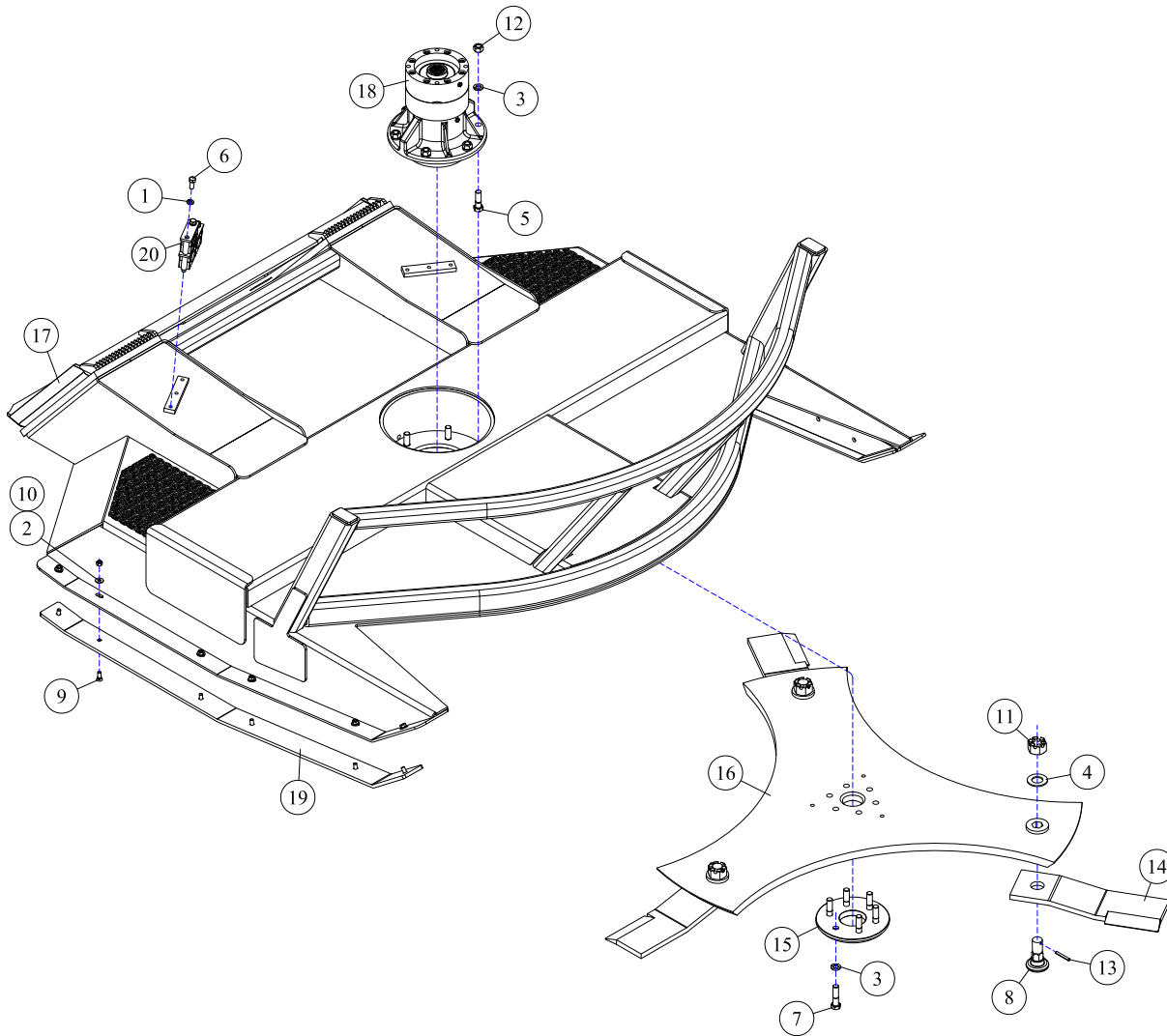
ROTARY HEAD - 60" DECK, DIRECT DRIVE



REF#	PARTS DESCRIPTION	REQ	PART #
1	7/16 LOCK WASHER GR 5	3	11-0003
2	5/16 FLAT WASHER	12	11-0015
3	5/8 H.S. LOCK WASHER	12	11-0043
4	1-1/8 H.S. SAE FLAT WASHER	3	11-0057
5	5/8 X 2 H.S. NF HEX CAPSCREW	6	11-0508
6	7/16 X 1 NC HEX CAP	3	11-0584
7	5/8 X 2-1/4 H.S. NF HEX CAPSCREW	6	11-0691
8	BLADE BOLT - HEX BASE	3	11-0759
9	3/8 X 1-1/4 PLOW BOLT	12	11-0804
10	3/8 NC NYLOCK NUT	12	11-1024

REF#	PARTS DESCRIPTION	REQ	PART #
11	1-1/8 H.S. NF SLOTTED HEX NUT	3	11-1050
12	5/8 H.S. NF STOVER NUT	6	11-1143
13	ROLL PIN, 1/4 X 2	3	11-2005
14	5/8" BRUSH BLADE	3	22-0006
15	BOLT PROTECTOR	1	24-0004
16	DISH	1	24-0145
17	60" DECK SHELL	1	25-0116
18	SPINDLE ASSEMBLY	1	35-0088
19	SKID SHOE	2	42-0033
20	HOSE CLAMP	1	44-0351

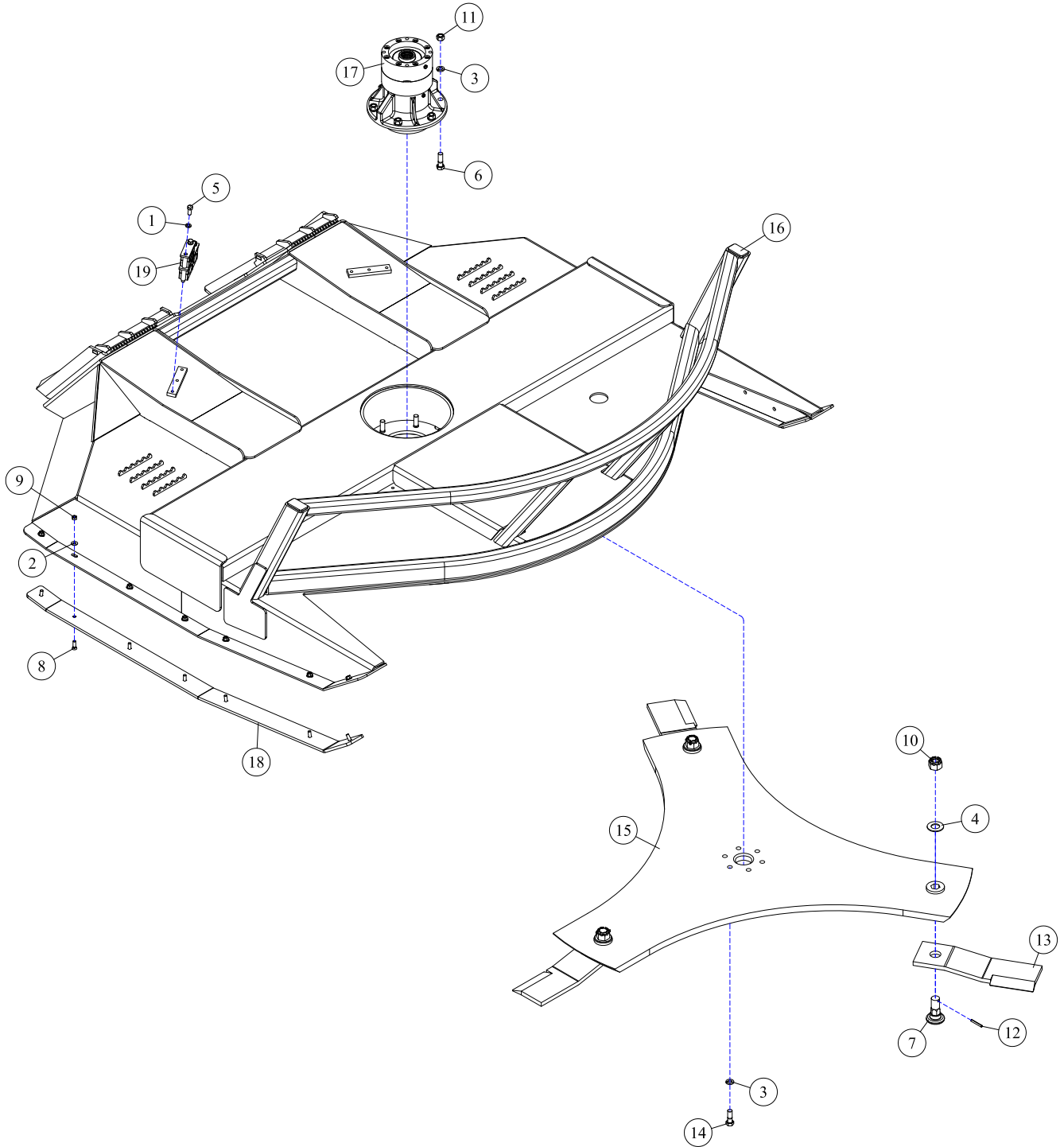
ROTARY HEAD - 72" DECK, DIRECT DRIVE



REF#	PARTS DESCRIPTION	REQ	PART #
1	7/16 LOCK WASHER GR 5	3	11-0003
2	5/16 FLAT WASHER	12	11-0015
3	5/8 H.S. LOCK WASHER	12	11-0043
4	1-1/8 H.S. SAE FLAT WASHER	3	11-0057
5	5/8 X 2 H.S. NF HEX CAPSCREW	6	11-0508
6	7/16 X 1 NC HEX CAP	3	11-0584
7	5/8 X 2-1/4 H.S. NF HEX CAPSCREW	6	11-0691
8	BLADE BOLT - HEX BASE	3	11-0759
9	3/8 X 1-1/4 PLOW BOLT	12	11-0804
10	3/8 NC NYLOCK NUT	12	11-1024

REF#	PARTS DESCRIPTION	REQ	PART #
11	1-1/8 H.S. NF SLOTTED HEX NUT	3	11-1050
12	5/8 H.S. NF STOVER NUT	6	11-1143
13	ROLL PIN, 1/4 X 2	3	11-2005
14	5/8" BRUSH BLADE	3	22-0006
15	BOLT PROTECTOR	1	24-0004
16	DISH	1	24-0151
17	72" DECK SHELL	1	25-0112
18	SPINDLE ASSEMBLY	1	35-0088
19	SKID SHOE	2	42-0032
20	HOSE CLAMP	1	44-0351

ROTARY HEAD - 84" DECK, DIRECT DRIVE



REF#	PARTS DESCRIPTION	REQ	PART #
1	7/16 LOCK WASHER GR 5	3	11-0003
2	5/16 FLAT WASHER	14	11-0015
3	5/8 H.S. LOCK WASHER	12	11-0043
4	1-1/8 H.S. SAE FLAT WASHER	3	11-0057
5	7/16 X 1 NC HEX CAP	3	11-0584
6	5/8 X 2-1/4 H.S. NF HEX CAPSCREW	6	11-0691
7	BLADE BOLT - HEX BASE	3	11-0759
8	3/8 X 1-1/4 PLOW BOLT	14	11-0804
9	3/8 NC NYLOCK NUT	14	11-1024
10	1-1/8 H.S. NF SLOTTED HEX NUT	3	11-1050

REF#	PARTS DESCRIPTION	REQ	PART #
11	5/8 H.S. NF STOVER NUT	6	11-1143
12	ROLL PIN, 1/4 X 2	3	11-2005
13	5/8" BRUSH BLADE	3	22-0006
14	5/8 X 1-3/4 H.S. NF HEX CAPSCREW	6	11-2107
15	84" DISH (serial # 21826 and up)	1	24-0290
16	84" DECK SHELL	1	25-0182
17	SPINDLE ASSEMBLY	1	35-0088
18	84" SKID SHOE	2	42-0043
19	HOSE CLAMP	1	44-0351

WETBLADE™
HEADS

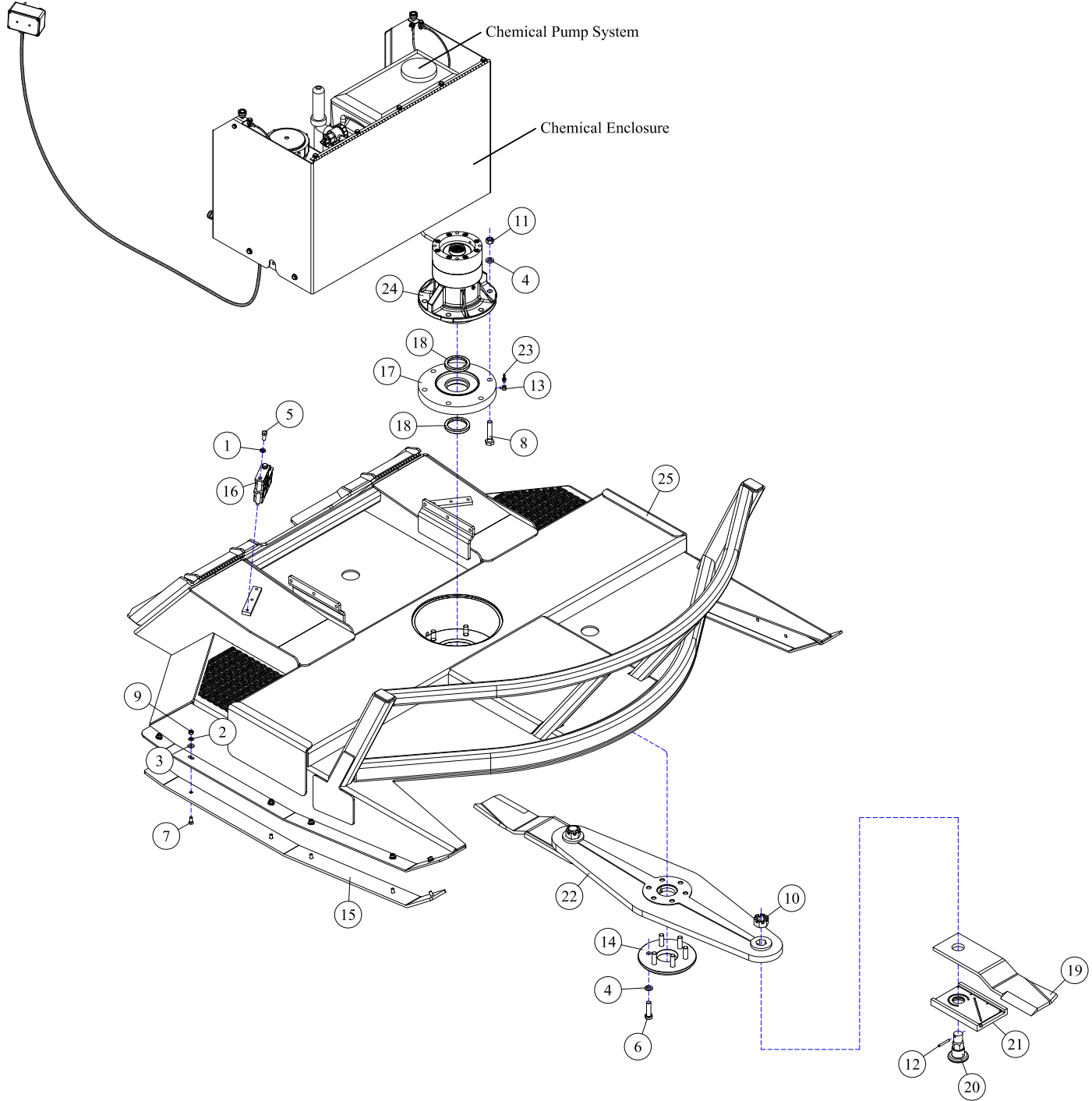


WETBLADE™ HEAD - 60" DECK

UNDER

CONSTRUCTION

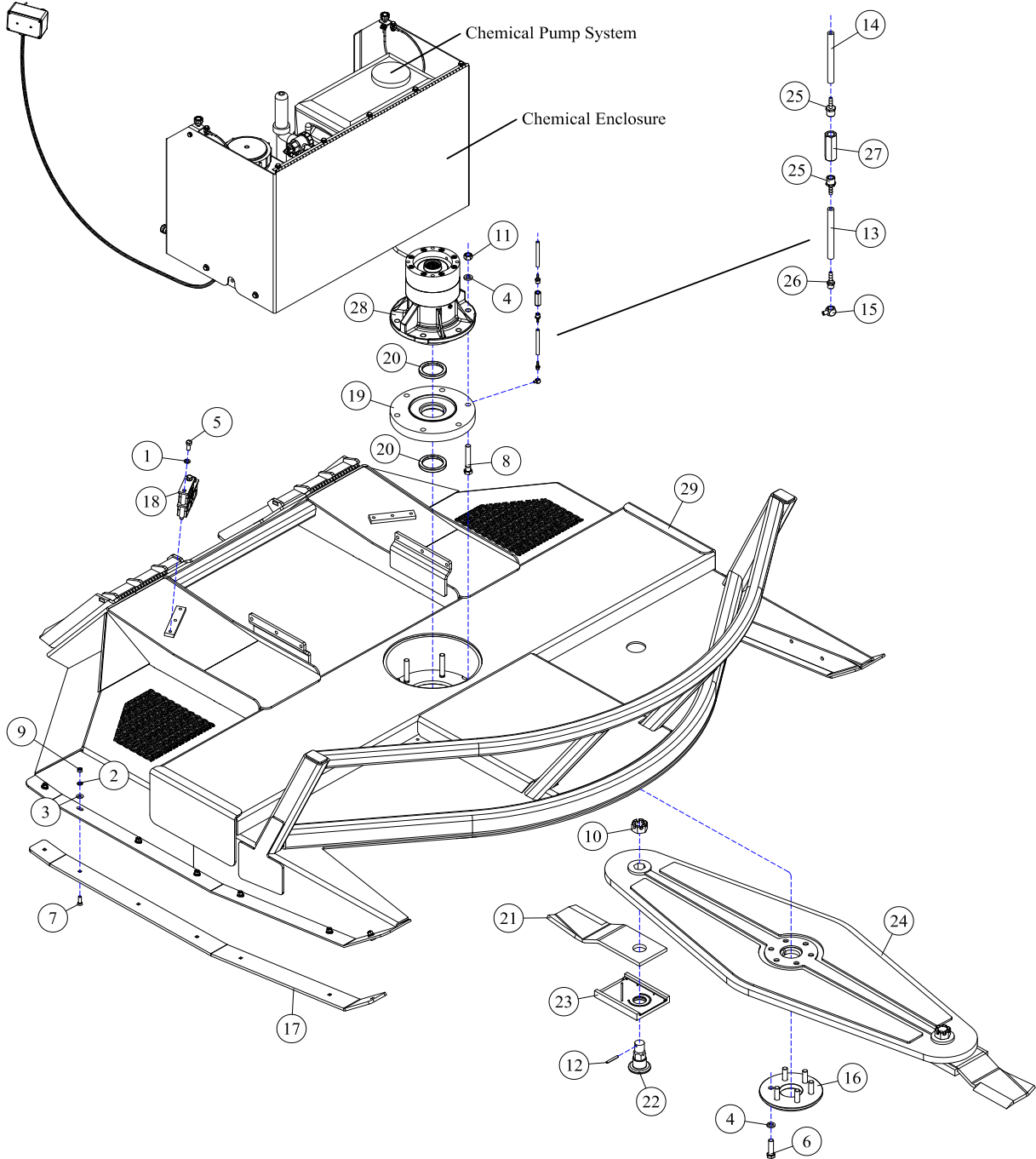
WETBLADE™ HEAD - 72" DECK



REF#	PARTS DESCRIPTION	REQ	PART #
1	7/16 LOCK WASHER GR 5	3	11-0003
2	3/8 LOCK WASHER	12	11-0005
3	5/16 FLAT WASHER	12	11-0015
4	5/8 H.S. LOCK WASHER	12	11-0043
5	7/16 X 1 NC HEX CAP	3	11-0584
6	5/8 X 2-1/4 H.S. NF HEX CAPSCREW	6	11-0691
7	3/8 X 1-1/4 PLOW BOLT	12	11-0804
8	5/8 X 4 H.S. NF HEX CAPSCREW	6	11-0908
9	3/8 NC HEX NUT	12	11-1001
10	1-1/4NF SLOTTED HEX NUT, GR 8	2	11-1064
11	5/8 H.S. NF STOVER NUT	6	11-1143
12	ROLL PIN, 1/4 X 2	2	11-2005
13	1/4-28 X1/8NPT-90DEG, ADAPTER	1	21-1530

REF#	PARTS DESCRIPTION	REQ	PART #
14	BOLT PROTECTOR	1	24-0004
15	SKID SHOE	2	42-0032
16	HOSE CLAMP	1	44-0351
17	WETBLADE SPINDLE INSERT	1	80-1040
18	2.75 X 3.5 X .375 SEAL	2	80-1044
19	60" WETBLADE KNIFE	2	80-1529
20	WETBLADE BOLT	2	80-1532
21	WETBAR	2	80-1543
22	DISH	1	80-1550
23	1/8NPT X 3/16 BARB	1	80-2041
24	SPINDLE ASSEMBLY	1	80-2542
25	72" WETBLADE SKID LOADER DECK SHELL	1	80-3037

WETBLADE™ HEAD - 84" DECK



REF#	PARTS DESCRIPTION	REQ	PART #
1	7/16 LOCK WASHER GR 5	3	11-0003
2	3/8 LOCK WASHER	14	11-0005
3	5/16 FLAT WASHER	14	11-0015
4	5/8 H.S. LOCK WASHER	12	11-0043
5	7/16 X 1 NC HEX CAP	3	11-0584
6	5/8 X 2-1/4 NF H.S. HEX CAPSCREW	6	11-0691
7	3/8 X 1-1/4 NC PLOW BOLT	14	11-0804
8	5/8 X 4 H.S. NF HEX CAPSCREW	6	11-0908
9	3/8 NC HEX NUT	14	11-1001
10	1-1/4NF SLOTTED HEX NUT, GR 8	2	11-1064
11	5/8 H.S. NF STOVER NUT	6	11-1143
12	1/4 X 2 ROLLPIN	2	11-2005
13	HOSE, 3/16 FUEL LINE (SOLD BY THE FOOT)	1	21-0026
14	HOSE, 3/16 X 72 FUEL LINE	1	21-0035
15	1/4-28 X1/8NPT-90DEG, ADAPTER	1	21-1530

REF#	PARTS DESCRIPTION	REQ	PART #
16	BOLT PROTECTOR	1	24-0004
17	SKID SHOE	2	42-0043
18	HOSE CLAMP	1	44-0351
19	WETBLADE FLUID PLATE, SPINDLE	1	80-1040
20	2.75 X 3.5 X .375 SEAL	2	80-1044
21	WETBLADE	2	80-1524
22	WETBLADE BOLT	2	80-1532
23	WETBAR	2	80-1545
24	DISH	1	80-1559
25	1/4NPT X 3/16 BARBED ADAPTER	2	80-2016
26	3/16 BARBED X 1/8NPT ADAPTER	1	80-2041
27	1/4FNPT X 1/4FNPTCHECK VALVE	1	80-2541
28	WETBLADE SPINDLE ASSEMBLY	1	80-2542
29	84" WETBLADE SKID LOADER DECK SHELL	1	80-3038

DRIVE ASSEMBLIES



HOW TO DETERMINE YOUR MOTOR PART NUMBER

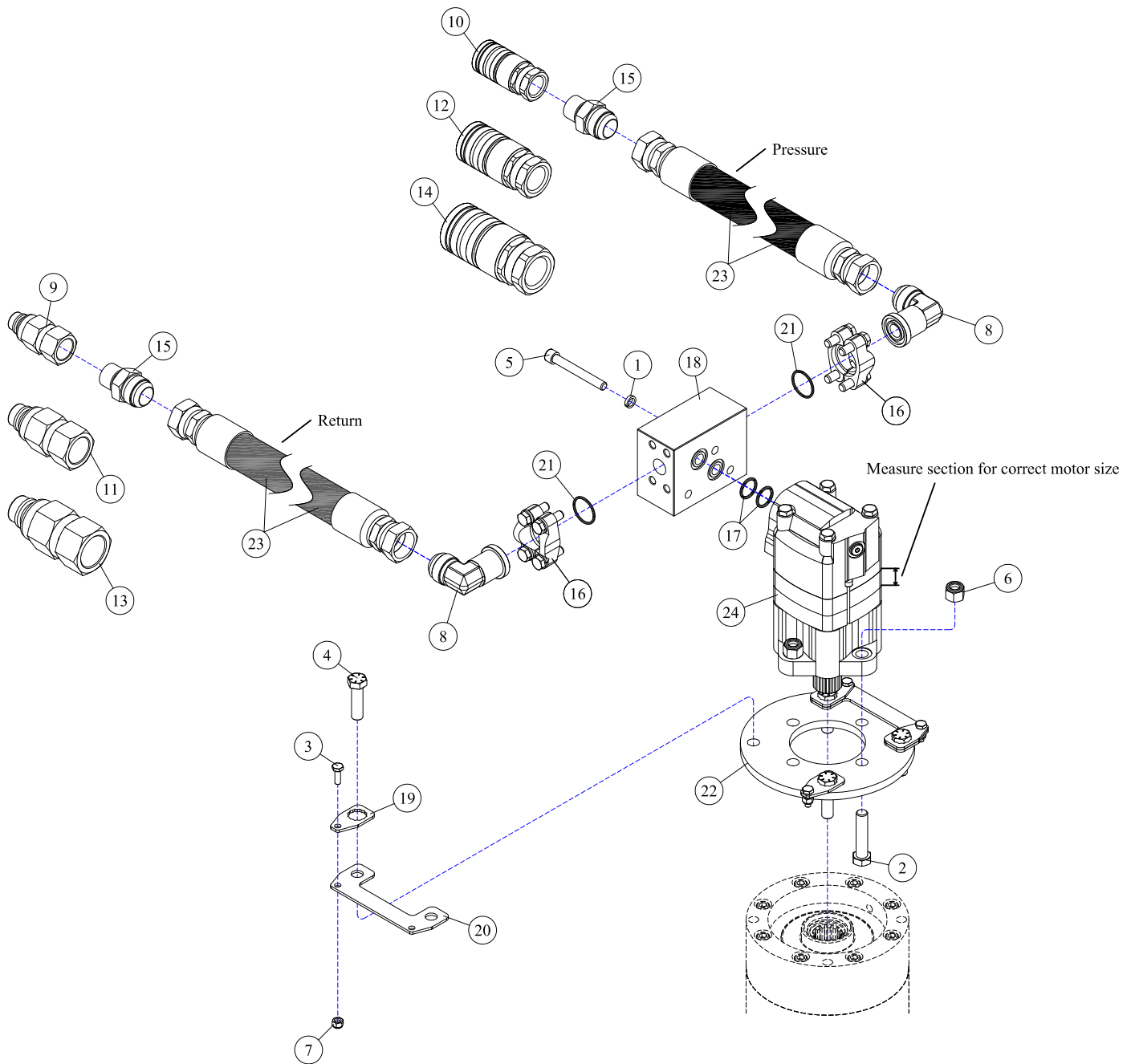
Note: The following parts pages in the **DRIVE ASSEMBLIES** section have multiple motor options; to identify which motor you have, follow the instructions below: you will have to first determine your vehicles hydraulic oil GPM requirements (i.e. 16-41gpm).

- ▷ Determine what your hydraulic oil flow requirements are for your vehicle in gallons per minute (GPM).
- ▷ Locate the **Drive Assemblies** page in the table of contents in the front of this manual that has a GPM range consistent with your vehicle's GPM requirements, and go to that page. Locate your motor part number.
- ▷ If multiple motor options and part numbers are available on your parts page, measure the width of the gear set portion of your motor to determine which part number is correct for your motor. Measure the gear set as shown in the illustration below *(see Figure 1)*.



Motor - (Figure 1)

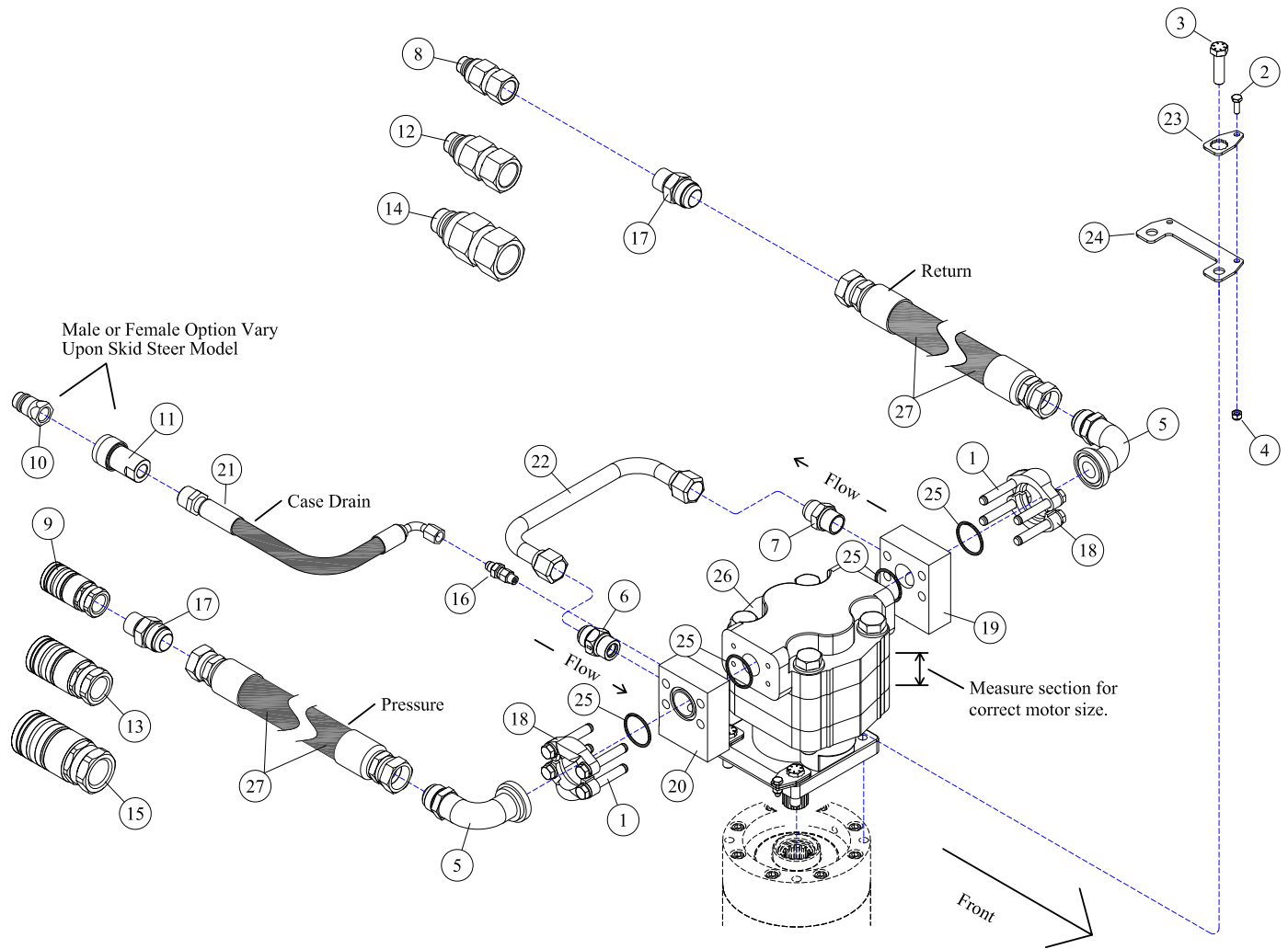
DRIVE ASSEMBLY - 60", 16-28 GPM



REF#	PARTS DESCRIPTION	REQ	PART #
1	3/8 HI-COLLAR LOCK WASHER	3	11-0054
2	1/2 X 2-1/4 NC HEX CAPSCREW	4	11-0531
3	1/4 X 3/4 NC HEX CAP	4	11-0588
4	1/2-20 X 1-3/4 H.S. NF HEX CAP GR.8	4	11-0664
5	3/8 X 2-1/2 NC SOCKET HEAD CAPSCREW	3	11-0701
6	1/2 NC NYLOCK NUT	4	11-1018
7	1/4 NC NYLOCK NUT	4	11-1022
8	#12FLG X 1MJIC-90DEG ADAPTER	2	21-1302
9	1/2 MALE QUICK COUPLER, FLAT FACE	1	21-1559
10	1/2 FEMALE QUICK COUPLER, FLAT FACE	1	21-1560
11	5/8 MALE QUICK COUPLER, FLAT FACE	1	21-1574
12	5/8 FEMALE QUICK COUPLER, FLAT FACE	1	21-1575
13	3/4 MALE QUICK COUPLER, FLAT FACE	1	21-1576
14	3/4 FEMALE QUICK COUPLER, FLAT FACE	1	21-1577
15	ADAPTER, 1MJIC X 3/4MORB	2	21-1602

REF#	PARTS DESCRIPTION	REQ	PART #
16	#12 FLANGE KIT	2	21-2186
17	O-RING (SMALL) (included with #30-1206)	2	30-1205
18	PRESSURE AND RETURN BLOCK (included with motors)	1	30-1206
19	MOTOR BOLT LOCK TAB	4	31-0503
20	MOTOR BOLT LOCK BASE	2	31-0504
21	O-RING (LARGE) (included with #21-2186)	2	33-0062
22	MOTOR SPACER	1	35-0075
23	HOSE 1" (1EJIC X 1EJIC)		
	"STANDARD", PRESSURE & RETURN 103"	2	21-4345
	"OPTIONAL UPGRADE" 4000 psi, PRESSURE 103"	1	21-4346
	"OPTIONAL UPGRADE" 4000 psi, RETURN 90"	1	21-4365
24	MOTOR (includes #30-1206)		
	2000 SERIES, 11/16" SECT, 16-23 GAL/MIN	1	30-0528
	2000 SERIES, 7/8" SECT, 24-28 GAL/MIN	1	30-0529

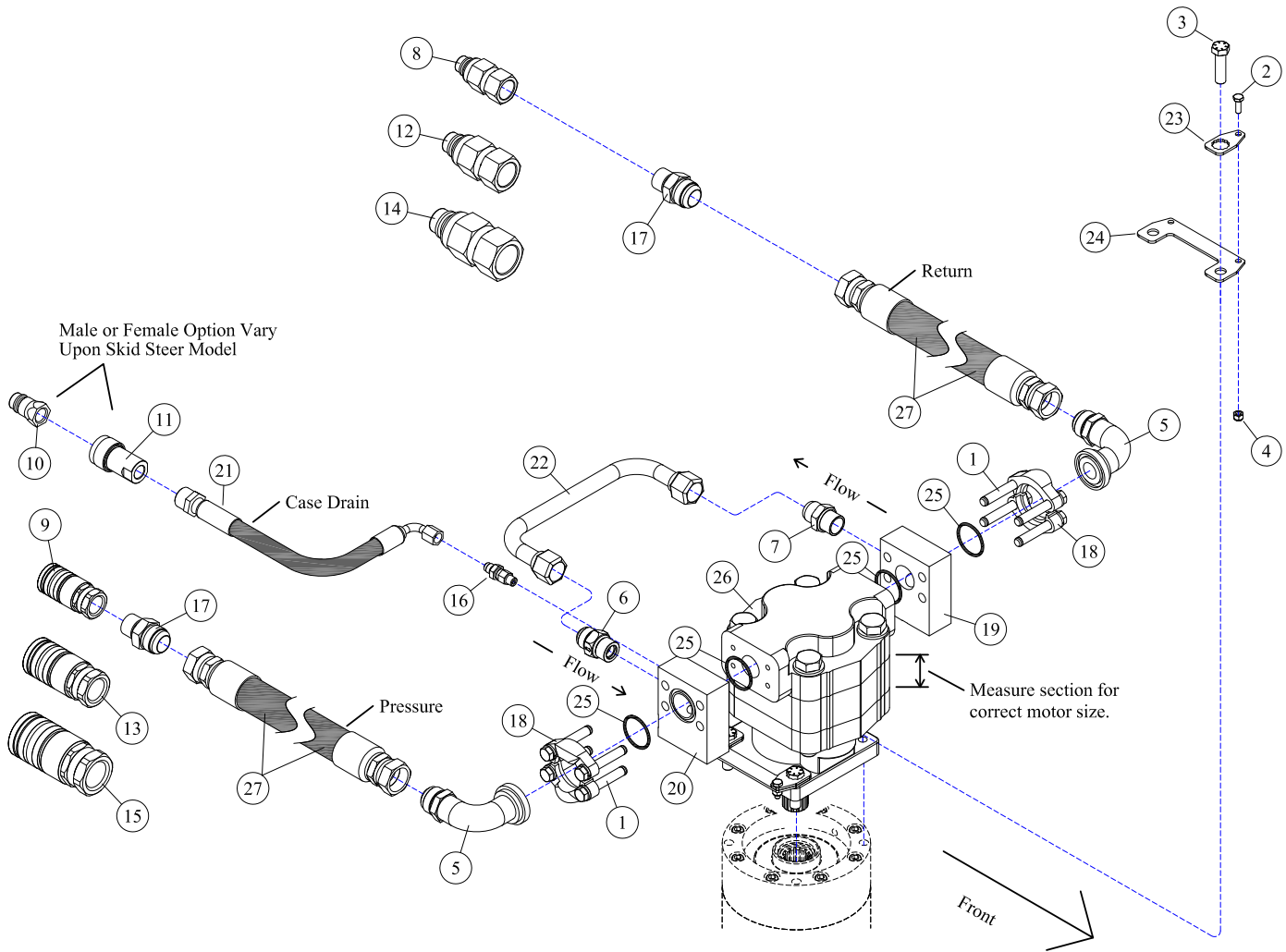
DRIVE ASSEMBLY - 60", 20-46 GPM



REF#	PARTS DESCRIPTION	REQ	PART #
1	7/16 X 3 NC HEX CAPSCREW (included with #19 & 20)	8	11-0587
2	1/4 X 3/4 NC HEX CAP	4	11-0588
3	1/2-20 X 1-3/4 H.S. NF HEX CAP GR 8	4	11-0664
4	1/4 NC NYLOCK NUT	4	11-1022
5	#20FLG X 1MJIC-90DEG ADAPTER	2	21-1267
6	CHECK VALVE	1	21-1474
7	3/4 MORB X 3/4 MJIC ADAPTER	1	21-1475
8	1/2 MALE QUICK COUPLER, FLAT FACE	1	21-1559
9	1/2 FEMALE QUICK COUPLER, FLAT FACE	1	21-1560
10	3/8 MALE QUICK COUPLER, FLAT FACE	1	21-1561
11	3/8 FEMALE QUICK COUPLER, FLAT FACE	1	21-1562
12	5/8 MALE QUICK COUPLER, FLAT FACE	1	21-1574
13	5/8 FEMALE QUICK COUPLER, FLAT FACE	1	21-1575
14	3/4 MALE QUICK COUPLER, FLAT FACE	1	21-1576
15	3/4 FEMALE QUICK COUPLER, FLAT FACE	1	21-1577
16	ADAPTER, 1/4MOR X 3/8MJIC	1	21-1597

REF#	PARTS DESCRIPTION	REQ	PART #
17	ADAPTER, 1MJIC X 3/4MORB	2	21-1602
18	#20 FLANGE KIT (included with #19 & 20)	2	21-2105
19	CROSS OVER MANIFOLD KIT (includes #1, 18 & 25)	1	21-2180
20	TEE MANIFOLD KIT (includes #1, 18 & 25)	1	21-2181
21	HOSE 3/8 X 106 (3/8FJIC 90DEG X 1/2MP)	1	21-4290
22	RUN-AROUND TUBE	1	28-0051
23	MOTOR BOLT LOCK TAB	4	31-0503
24	MOTOR BOLT LOCK BASE	2	31-0504
25	O-RING (included with #18, 19 & 20)	4	33-0013
26	MOTOR M365, 2-1/4" GEAR SET, 2-3/4" SECT, 32-45 GAL/MIN	1	30-0524
27	HOSE 1" (1EJIC X 1EJIC) "STANDARD", PRESSURE & RETURN 103" "OPTIONAL UPGRADE" 4000 psi, PRESSURE 103" "OPTIONAL UPGRADE" 4000 psi, RETURN 90"	2 1 1	21-4345 21-4346 21-4365

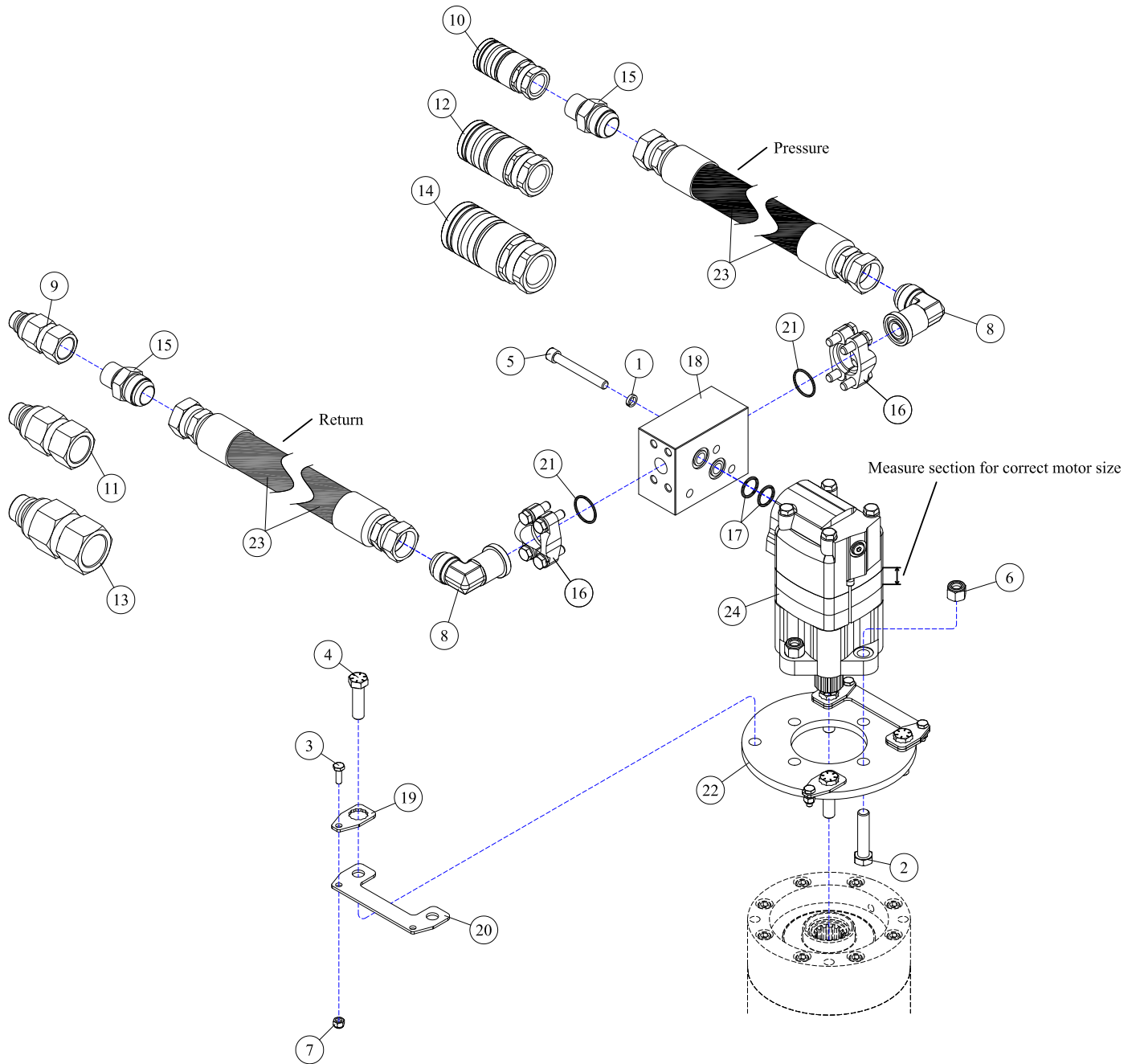
DRIVE ASSEMBLY - 72", 17-41 GPM



REF#	PARTS DESCRIPTION	REQ	PART #
1	7/16 X 3 NC HEX CAPSCREW (included with #19 & 20)	8	11-0587
2	1/4 X 3/4 NC HEX CAP	4	11-0588
3	1/2-20 X 1-3/4 H.S. NF HEX CAP GR 8	4	11-0664
4	1/4 NC NYLOCK NUT	4	11-1022
5	#20FLG X 1MJIC-90DEG ADAPTER	2	21-1267
6	CHECK VALVE	1	21-1474
7	3/4 MORB X 3/4 MJIC ADAPTER	1	21-1475
8	1/2 MALE QUICK COUPLER, FLAT FACE	1	21-1559
9	1/2 FEMALE QUICK COUPLER, FLAT FACE	1	21-1560
10	3/8 MALE QUICK COUPLER, FLAT FACE	1	21-1561
11	3/8 FEMALE QUICK COUPLER, FLAT FACE	1	21-1562
12	5/8 MALE QUICK COUPLER, FLAT FACE	1	21-1574
13	5/8 FEMALE QUICK COUPLER, FLAT FACE	1	21-1575
14	3/4 MALE QUICK COUPLER, FLAT FACE	1	21-1576
15	3/4 FEMALE QUICK COUPLER, FLAT FACE	1	21-1577
16	ADAPTER, 1/4MOR X 3/8MJIC	1	21-1597
17	ADAPTER, 1MJIC X 3/4MORB	2	21-1602

REF#	PARTS DESCRIPTION	REQ	PART #
18	#20 FLANGE KIT (included with #19 & 20)	2	21-2105
19	CROSS OVER MANIFOLD KIT (includes #1, 18 & 25)	1	21-2180
20	TEE MANIFOLD KIT (includes #1, 18 & 25)	1	21-2181
21	HOSE 3/8 X 106 (3/8FJIC 90DEG X 1/2MP)	1	21-4290
22	RUN-AROUND TUBE	1	28-0051
23	MOTOR BOLT LOCK TAB	4	31-0503
24	MOTOR BOLT LOCK BASE	2	31-0504
25	O-RING (included with #18, 19 & 20)	4	33-0013
26	MOTOR		
	M365, 1-1/2" GEAR SET, 2" SECT, 17-22 GAL/MIN	1	30-0515
	M365, 1-3/4" GEAR SET, 2-1/4" SECT, 23-28 GAL/MIN	1	30-0520
	M365, 2-1/4" GEAR SET, 2-3/4" SECT, 29-34 GAL/MIN	1	30-0524
	M365, 2-1/2" GEAR SET, 3" SECT, 35-41 GAL/MIN	1	30-0518
27	HOSE 1 X 103 (1FJIC X 1FJIC)		
	"STANDARD"	2	21-4345
	"OPTIONAL UPGRADE" 4000 psi	2	21-4346

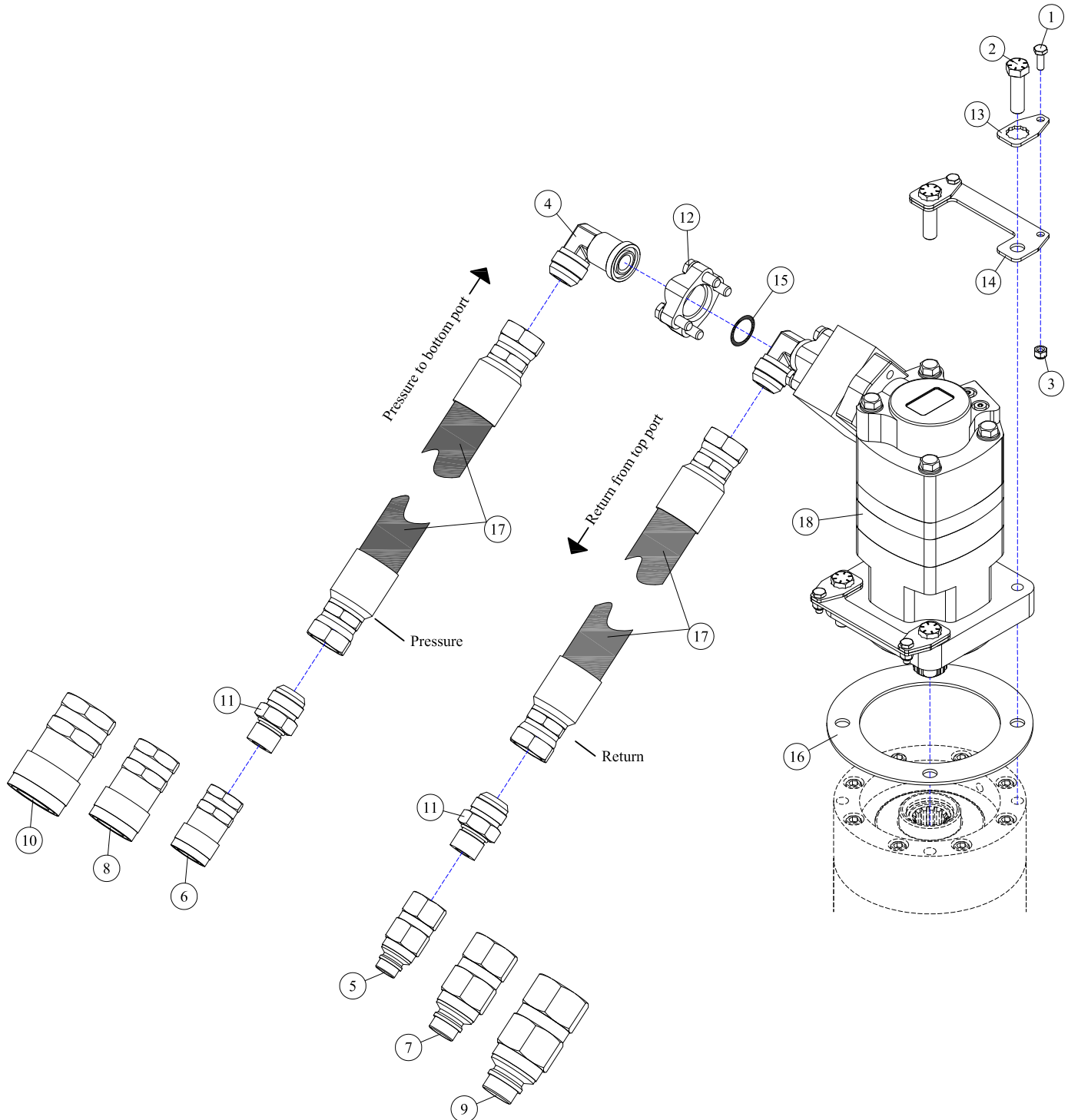
DRIVE ASSEMBLY - 72", 17-28 GPM



REF#	PARTS DESCRIPTION	REQ	PART #
1	3/8 HI-COLLAR LOCK WASHER	3	11-0054
2	1/2 X 2-1/4 NC HEX CAPSCREW	4	11-0531
3	1/4 X 3/4 NC HEX CAP	4	11-0588
4	1/2-20 X 1-3/4 H.S. NF HEX CAP GR.8	4	11-0664
5	3/8 X 2-1/2 NC SOCKET HEAD CAPSCREW	3	11-0701
6	1/2 NC NYLOCK NUT	4	11-1018
7	1/4 NC NYLOCK NUT	4	11-1022
8	#12FLGX 1MJIC-90DEG ADAPTER	2	21-1302
9	1/2 MALE QUICK COUPLER, FLAT FACE	1	21-1559
10	1/2 FEMALE QUICK COUPLER, FLAT FACE	1	21-1560
11	5/8 MALE QUICK COUPLER, FLAT FACE	1	21-1574
12	5/8 FEMALE QUICK COUPLER, FLAT FACE	1	21-1575
13	3/4 MALE QUICK COUPLER, FLAT FACE	1	21-1576
14	3/4 FEMALE QUICK COUPLER, FLAT FACE	1	21-1577
15	ADAPTER, 1MJIC X 3/4MORB	2	21-1602

REF#	PARTS DESCRIPTION	REQ	PART #
16	#12 FLANGE KIT	2	21-2186
17	O-RING (SMALL) (included with #30-1206)	2	30-1205
18	PRESSURE AND RETURN BLOCK (included with motors)	1	30-1206
19	MOTOR BOLT LOCK TAB	4	31-0503
20	MOTOR BOLT LOCK BASE	2	31-0504
21	O-RING (LARGE) (included with #21-2186)	2	33-0062
22	MOTOR SPACER	1	35-0075
23	HOSE 1 X 103 (1EJIC X 1EJIC)		
	"STANDARD"	2	21-4345
	"OPTIONAL UPGRADE" 4000 psi	2	21-4346
24	MOTOR (includes #30-1206)		
	2000 SERIES, 11/16" SECT, 17-20 GAL/MIN	1	30-0528
	2000 SERIES, 7/8" SECT, 21-28 GAL/MIN	1	30-0529

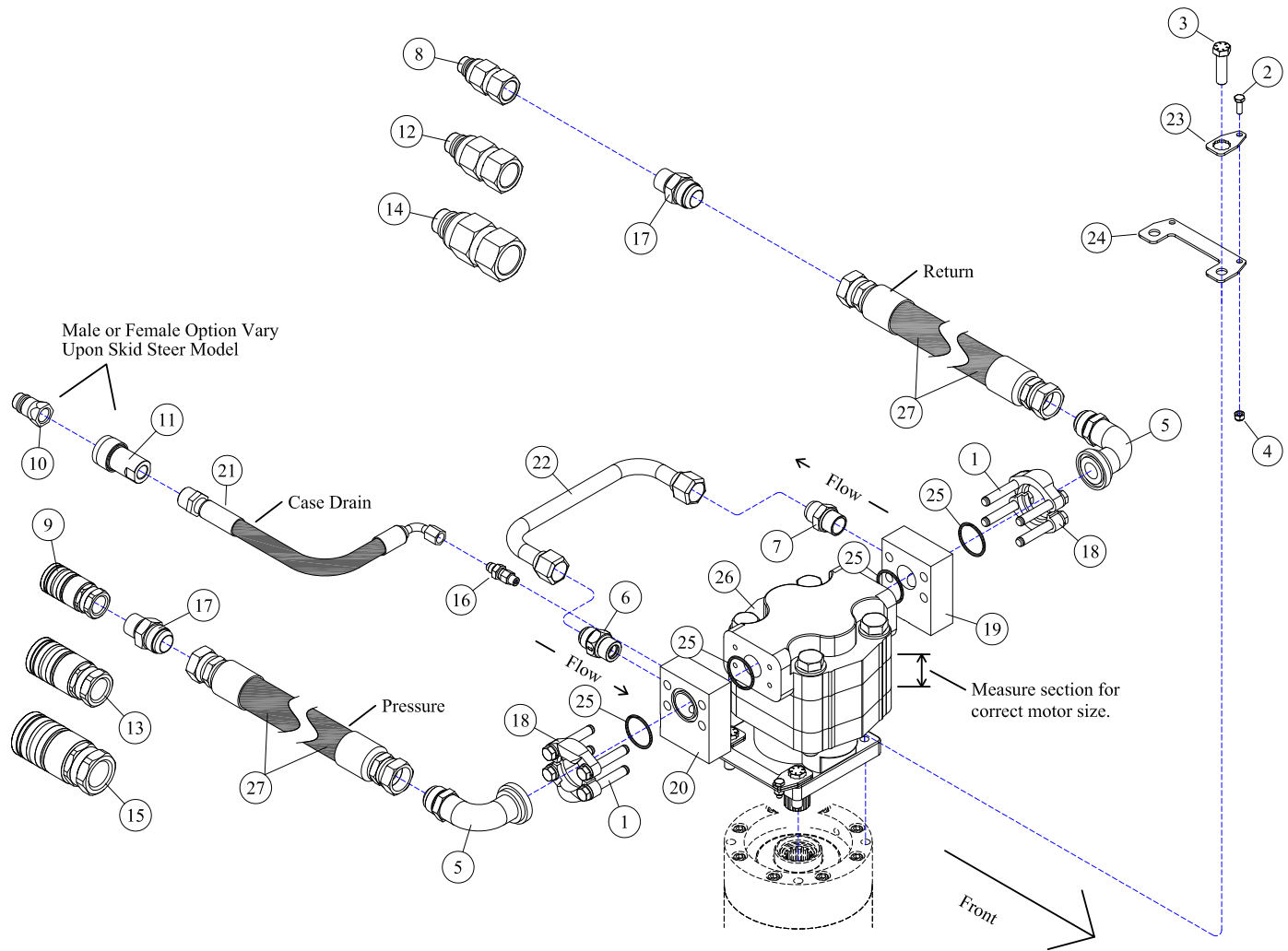
DRIVE ASSEMBLY - 72", 26-32 GPM



REF#	PARTS DESCRIPTION	REQ	PART #
1	1/4 X 3/4 NC HEX CAP	4	11-0588
2	1/2-20 X 1-3/4 H.S. NF HEX CAP GR.8	4	11-0664
3	1/4 NC NYLOCK NUT	4	11-1022
4	#12FLG X 1MJIC-90DEG ADAPTER	2	21-1302
5	1/2 MALE QUICK COUPLER, FLAT FACE	1	21-1559
6	1/2 FEMALE QUICK COUPLER, FLAT FACE	1	21-1560
7	5/8 MALE QUICK COUPLER, FLAT FACE	1	21-1574
8	5/8 FEMALE QUICK COUPLER, FLAT FACE	1	21-1575
9	3/4 MALE QUICK COUPLER, FLAT FACE	1	21-1576
10	3/4 FEMALE QUICK COUPLER, FLAT FACE	1	21-1577
11	ADAPTER, 1MJIC X 3/4MORB	2	21-1602

REF#	PARTS DESCRIPTION	REQ	PART #
12	#12 FLANGE KIT	2	21-2186
13	MOTOR BOLT LOCK TAB	4	31-0503
14	MOTOR BOLT LOCK BASE	2	31-0504
15	O-RING (included with #21-2186)	2	33-0062
16	MOTOR SPACER	1	35-0076
17	HOSE 1 X 103 (1EJIC X 1EJIC)		
	"STANDARD"	2	21-4345
	"OPTIONAL UPGRADE" 4000 psi	2	21-4346
18	MOTOR		
	4000 SERIES, 25-32 GAL/MIN	1	30-0527

DRIVE ASSEMBLY - 84", 32-40 GPM



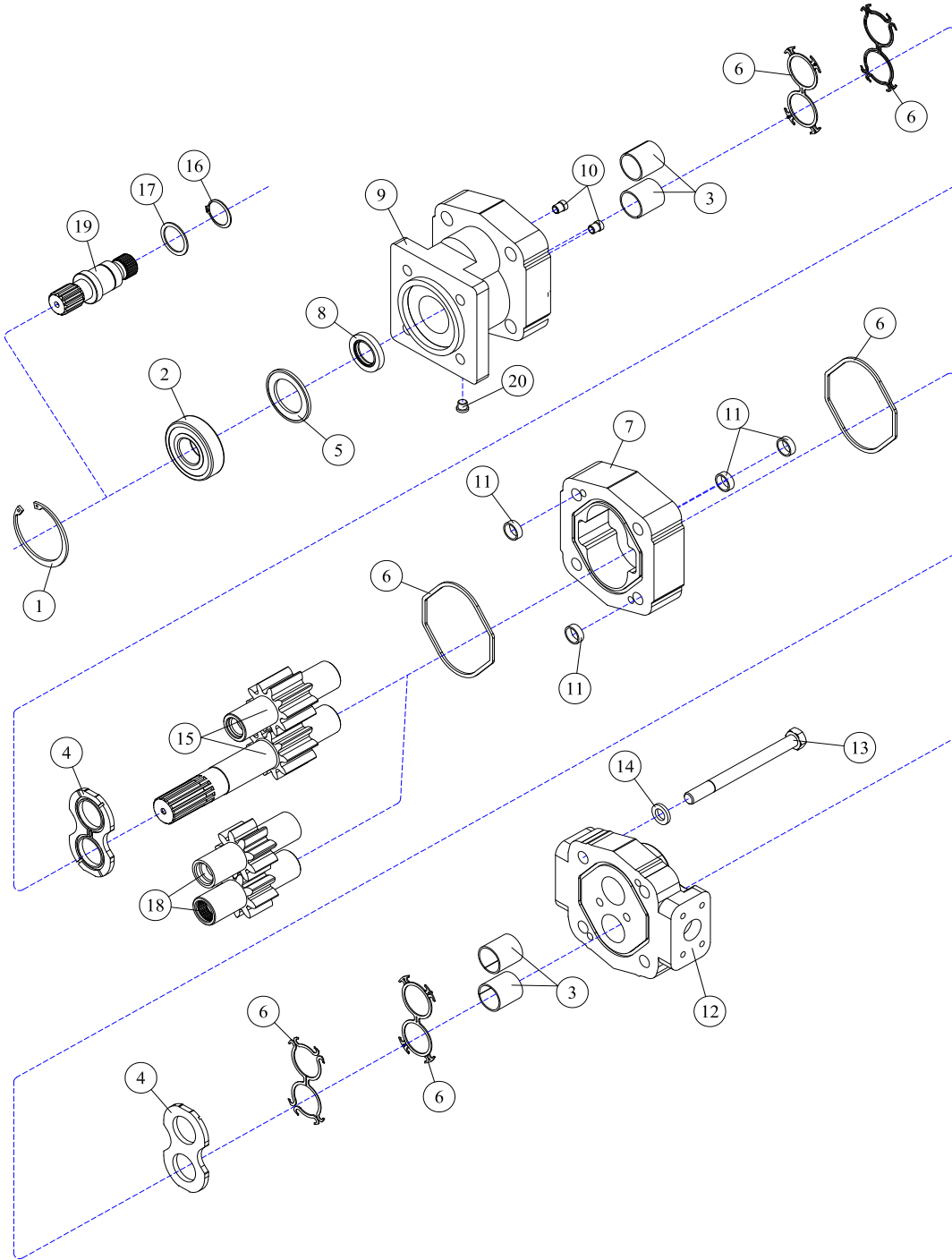
REF#	PARTS DESCRIPTION	REQ	PART #
1	7/16 X 3 NC HEX CAPSCREW (included with #19 & 20)	8	11-0587
2	1/4 X 3/4 NC HEX CAP	4	11-0588
3	1/2-20 X 1-3/4 H.S. NF HEX CAP GR 8	4	11-0664
4	1/4 NC NYLOCK NUT	4	11-1022
5	#20FLG X 1MJIC-90DEG ADAPTER	2	21-1267
6	CHECK VALVE	1	21-1474
7	3/4 MORB X 3/4 MJIC ADAPTER	1	21-1475
8	1/2 MALE QUICK COUPLER, FLAT FACE	1	21-1559
9	1/2 FEMALE QUICK COUPLER, FLAT FACE	1	21-1560
10	3/8 MALE QUICK COUPLER, FLAT FACE	1	21-1561
11	3/8 FEMALE QUICK COUPLER, FLAT FACE	1	21-1562
12	5/8 MALE QUICK COUPLER, FLAT FACE	1	21-1574
13	5/8 FEMALE QUICK COUPLER, FLAT FACE	1	21-1575
14	3/4 MALE QUICK COUPLER, FLAT FACE	1	21-1576
15	3/4 FEMALE QUICK COUPLER, FLAT FACE	1	21-1577
16	ADAPTER, 1/4MOR X 3/8MJIC	1	21-1597

REF#	PARTS DESCRIPTION	REQ	PART #
17	ADAPTER, 1MJIC X 3/4MORB	2	21-1602
18	#20 FLANGE KIT (included with #19 & 20)	2	21-2105
19	CROSS OVER MANIFOLD KIT (includes #1, 18 & 25)	1	21-2180
20	TEE MANIFOLD KIT (includes #1, 18 & 25)	1	21-2181
21	HOSE 3/8 X 106 (3/8FJIC 90DEG X 1/2MP)	1	21-4290
22	RUN-AROUND TUBE	1	28-0051
23	MOTOR BOLT LOCK TAB	4	31-0503
24	MOTOR BOLT LOCK BASE	2	31-0504
25	O-RING (included with #18, 19 & 20)	4	33-0013
26	MOTOR M365, 2-1/2" GEAR SET, 3" SECT, 32-40 GAL/MIN	1	30-0518
27	HOSE 1 X 103 (1FJIC X 1FJIC) "STANDARD" "OPTIONAL UPGRADE" 4000 psi	2	21-4345 21-4346

DECK ASSEMBLIES



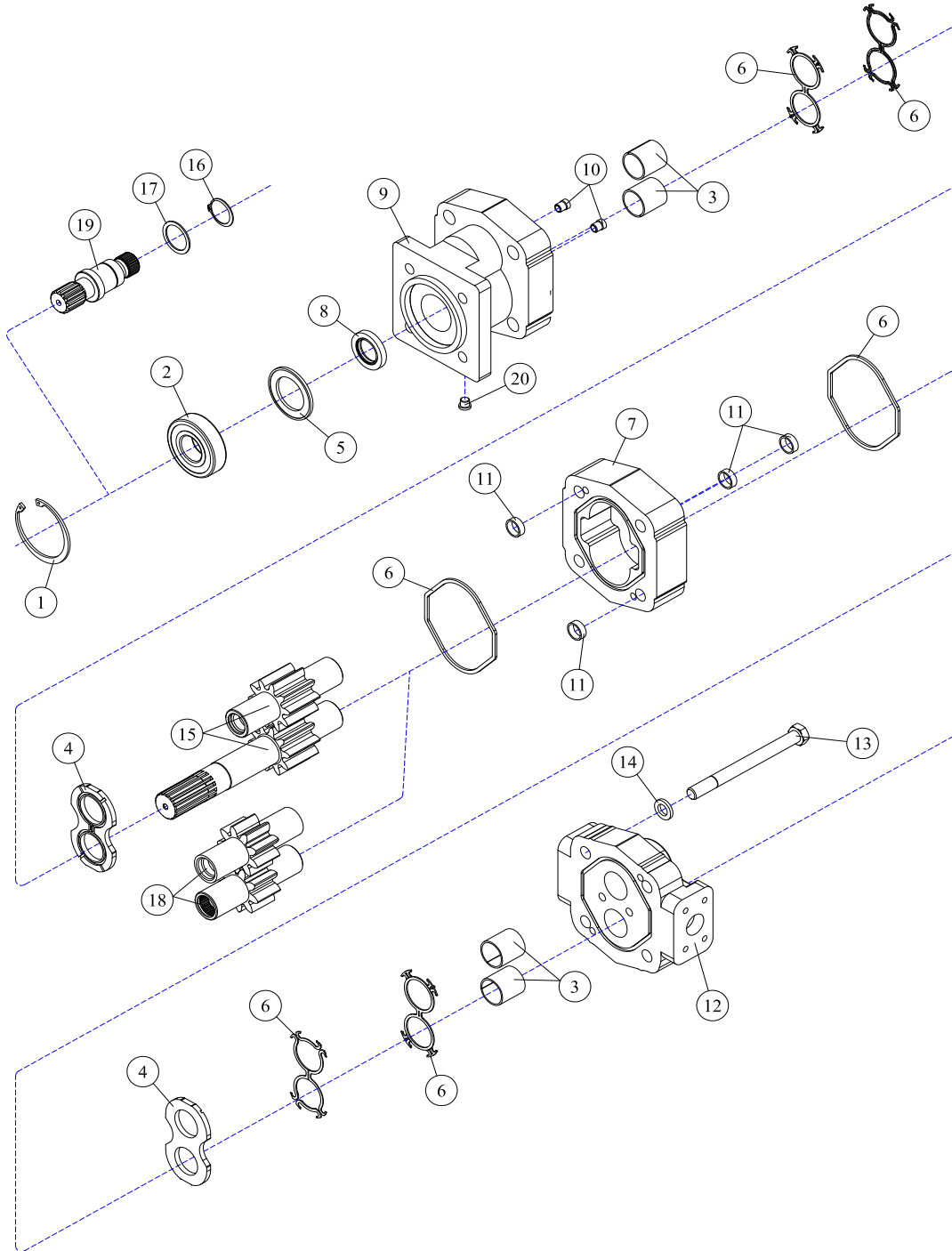
30-0515 - MOTOR ASSEMBLY



REF#	PARTS DESCRIPTION	REQ	PART #
1	SNAP RING	1	30-1009
2	OUTBOARD BEARING	1	30-1010
3	BUSHING	4	30-1011
4	THRUST PLATE	2	30-1012
5	SEAL RETAINER	1	30-1017
6	M365 SEAL KIT	Avail	30-1021
7	GEAR HOUSING	1	30-1023
8	SHAFT SEAL		
	150 PSI (included in M365 seal kit)	1	30-1210
	500 PSI	1	30-1156
9	SHAFT END COVER	1	30-1086
10	CHECK ASSEMBLY	2	30-1087
11	ALIGNMENT BUSHING	4	30-1090

REF#	PARTS DESCRIPTION	REQ	PART #
12	PORT END COVER	1	30-1091
13	STUD	4	30-1092
14	WASHER	4	30-1093
	GEAR SET OPTION A:		
15	1-1/2" GEAR SET	1	30-1159
	GEAR SET OPTION B:		
16	RETAINING RING	1	30-1019
17	WASHER	1	30-1020
18	1-1/2" GEAR SET	1	30-1022
19	CONTINENTAL SHAFT, SPLINED	1	30-1144
20	PLUG	1	30-1096
*	SEAL APPLICATOR TOOL (not shown)	Avail	30-1048

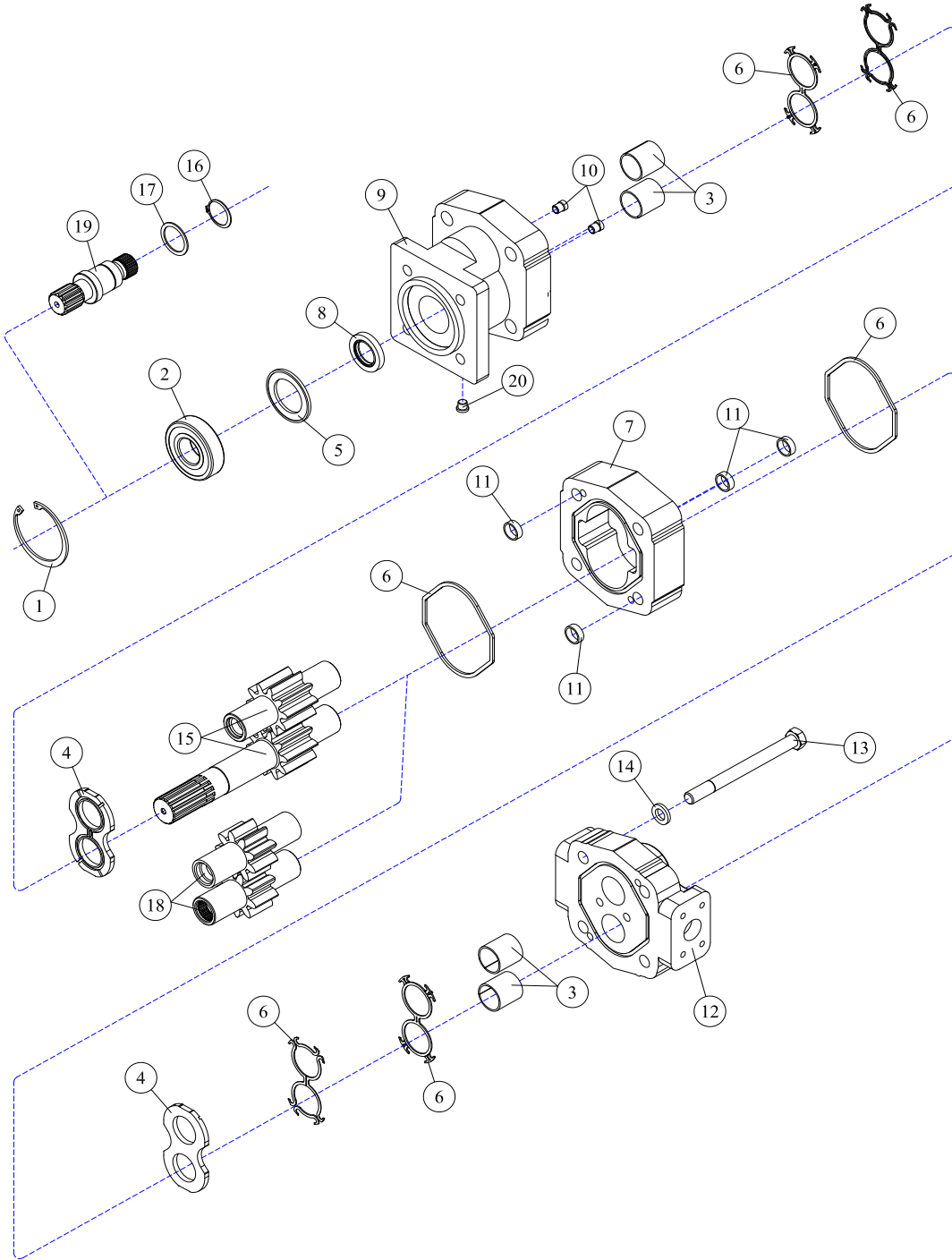
30-0518 - MOTOR ASSEMBLY



REF#	PARTS DESCRIPTION	REQ	PART #
1	SNAP RING	1	30-1009
2	OUTBOARD BEARING	1	30-1011
3	BUSHING	4	30-1011
4	THRUST PLATE	2	30-1012
5	SEAL RETAINER	1	30-1017
6	M365 SEAL KIT	Avail	30-1021
7	2-1/2" M365 GEAR HOUSING	1	30-1137
8	SHAFT SEAL		
	150 PSI (included in M365 seal kit)	1	30-1210
	500 PSI	1	30-1156
9	SHAFT END COVER	1	30-1086
10	CHECK ASSEMBLY	2	30-1087
11	ALIGNMENT BUSHING	4	30-1090

REF#	PARTS DESCRIPTION	REQ	PART #
12	PORT END COVER	1	30-1091
13	STUD	4	30-1334
14	WASHER	4	30-1093
	GEAR SET OPTION A:		
15	2-1/2" GEAR SET	1	30-1170
	GEAR SET OPTION B:		
16	RETAINING RING	1	30-1019
17	WASHER	1	30-1020
18	2-1/2" GEAR SET	1	30-1136
19	CONTINENTAL SHAFT, SPLINED	1	30-1144
20	PLUG	1	30-1096
*	SEAL APPLICATOR TOOL (not shown)	Avail	30-1048

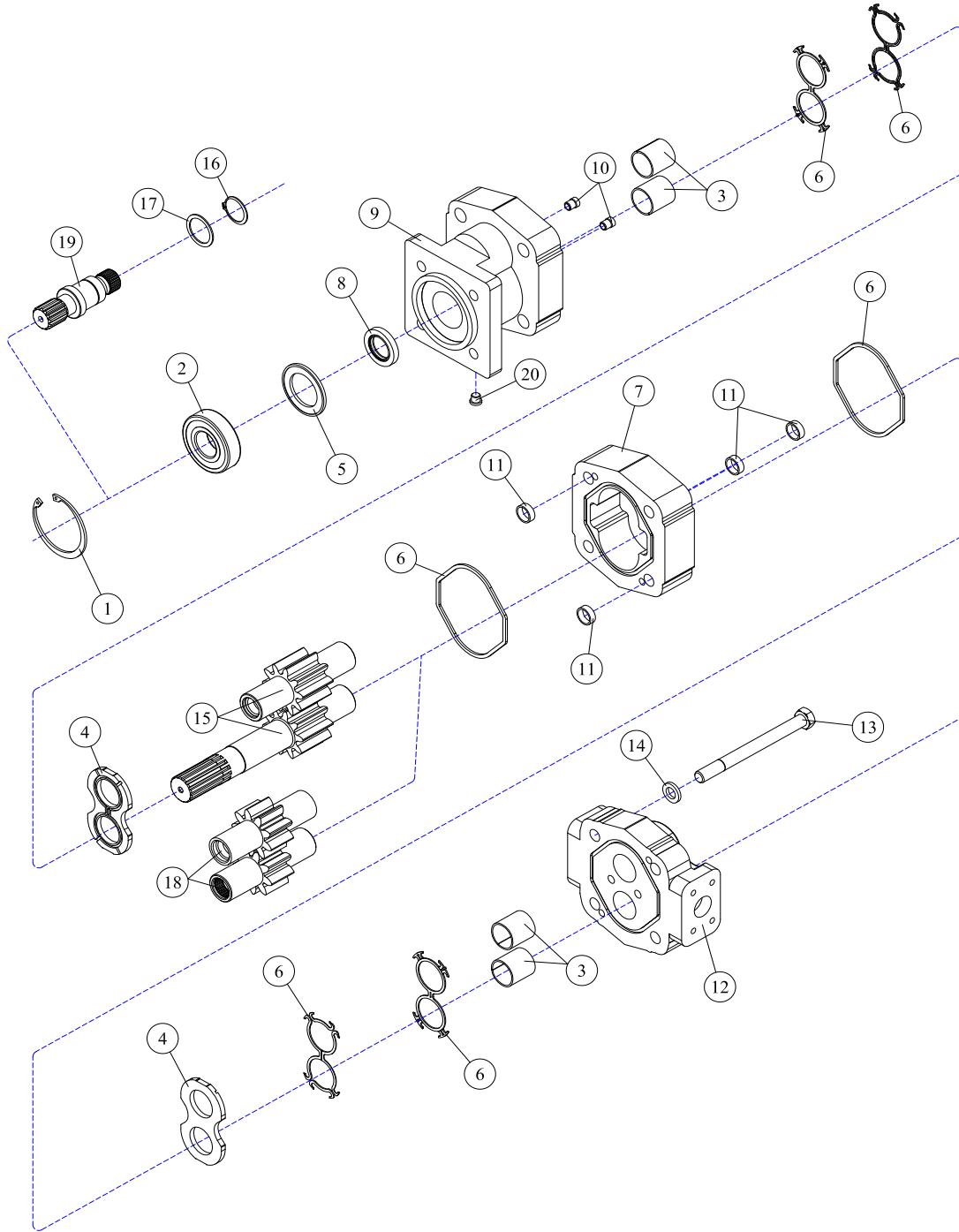
30-0520 - MOTOR ASSEMBLY



REF#	PARTS DESCRIPTION	REQ	PART #
1	SNAP RING	1	30-1009
2	OUTBOARD BEARING	1	30-1010
3	BUSHING	4	30-1011
4	THRUST PLATE	2	30-1012
5	SEAL RETAINER	1	30-1017
6	M365 SEAL KIT	Avail	30-1021
7	GEAR HOUSING	1	30-1015
8	SHAFT SEAL		
	150 PSI (included in M365 seal kit)	1	30-1210
	500 PSI	1	30-1156
9	SHAFT END COVER	1	30-1086
10	CHECK ASSEMBLY	2	30-1087
11	ALIGNMENT BUSHING	4	30-1090

REF#	PARTS DESCRIPTION	REQ	PART #
12	PORT END COVER	1	30-1091
13	STUD	4	30-1092
14	WASHER	4	30-1093
	GEAR SET OPTION A:		
15	1-3/4" GEAR SET	1	30-1166
	GEAR SET OPTION B:		
16	RETAINING RING	1	30-1019
17	WASHER	1	30-1020
18	1-3/4" GEAR SET	1	30-1013
19	CONTINENTAL SHAFT, SPLINED	1	30-1144
20	PLUG	1	30-1096
*	SEAL APPLICATOR TOOL (not shown)	Avail	30-1048

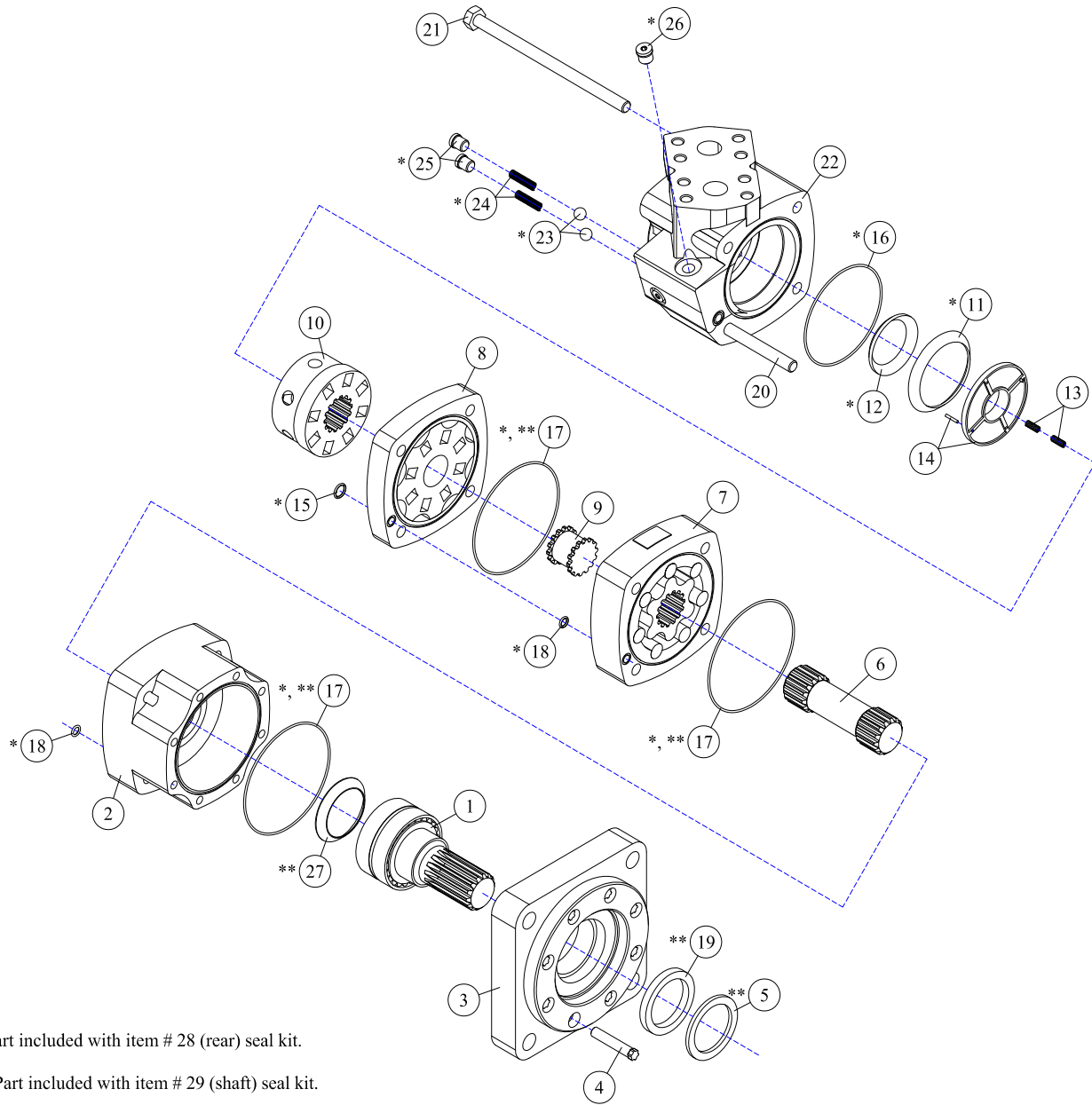
30-0524 - MOTOR ASSEMBLY



REF#	PARTS DESCRIPTION	REQ	PART #
1	SNAP RING	1	30-1009
2	OUTBOARD BEARING	1	30-1010
3	BUSHING	4	30-1011
4	THRUST PLATE	2	30-1012
5	SEAL RETAINER	1	30-1017
6	M365 SEAL KIT	Avail	30-1021
7	2-1/4" M365 GEAR HOUSING	1	30-1026
8	SHAFT SEAL		
	150 PSI (included in M365 seal kit)	1	30-1210
	500 PSI	1	30-1156
9	SHAFT END COVER	1	30-1086
10	CHECK ASSEMBLY	2	30-1087
11	ALIGNMENT BUSHING	4	30-1090

REF#	PARTS DESCRIPTION	REQ	PART #
12	PORT END COVER	1	30-1091
13	STUD	4	Call
14	WASHER	4	30-1093
	GEAR SET OPTION A:		
15	2-1/4" GEAR SET	1	30-1165
	GEAR SET OPTION B:		
16	RETAINING RING	1	30-1019
17	WASHER	1	30-1020
18	2-1/4" GEAR SET	1	30-1025
19	CONTINENTAL SHAFT, SPLINED	1	30-1144
20	PLUG	1	30-1096
*	SEAL APPLICATOR TOOL (not shown)	Avail	30-1048

30-0527 - MOTOR ASSEMBLY



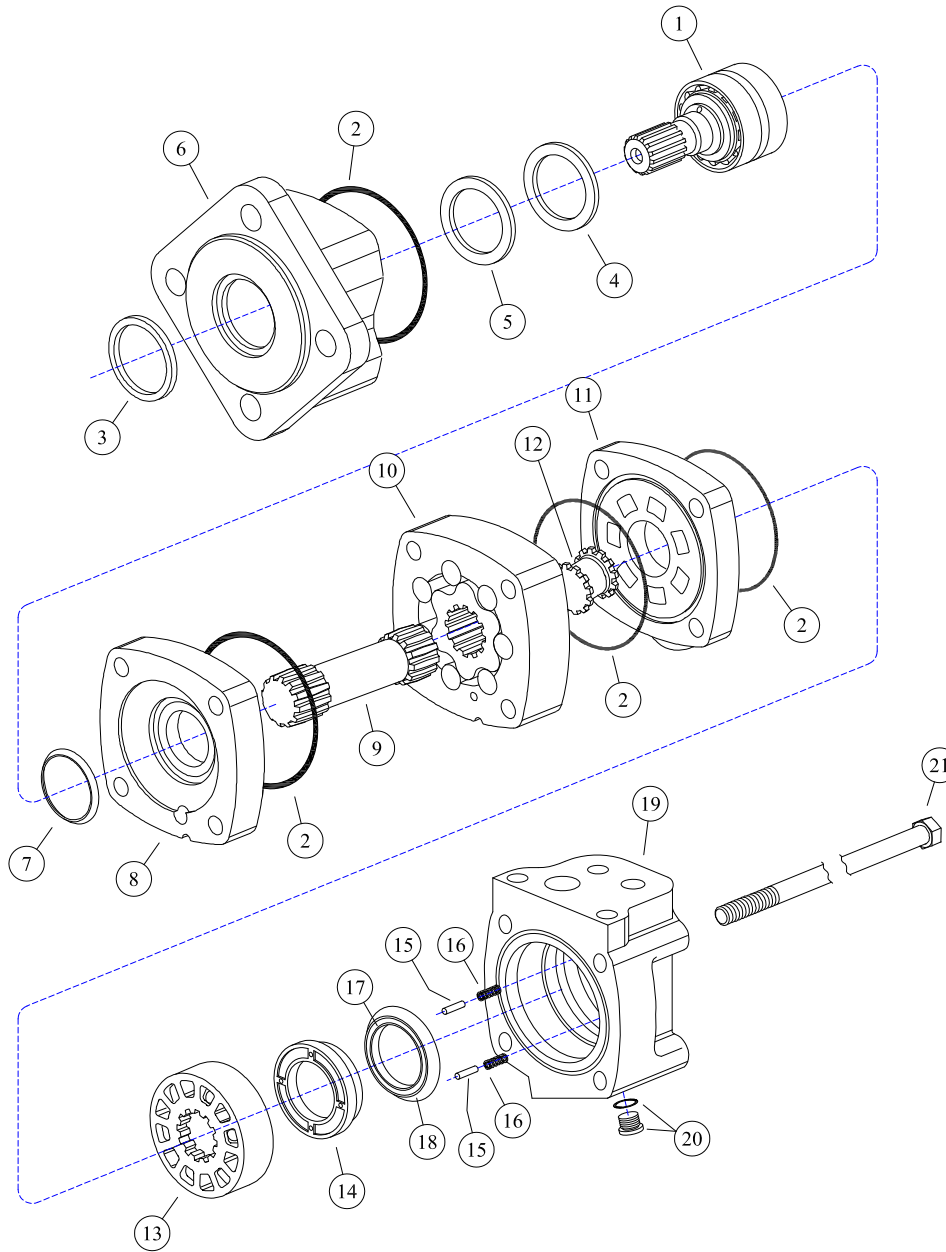
* Part included with item # 28 (rear) seal kit.

** Part included with item # 29 (shaft) seal kit.

REF#	PARTS DESCRIPTION	REQ	PART #
1	SHAFT & BEARING KIT (1-1/4" SPLINED 14T)	1	30-1282
2	HOUSING, BEARING	1	30-1285
3	FLANGE, MOUNTING	1	30-1286
4	SCREW, CAP (6-PT, 5/16 X 1-5/8 NF)	8	30-1287
5	**RING, BACK-UP	1	30-1288
6	DRIVE, MAIN (CONNECTING DRIVE)	1	30-1289
7	GEROLER	1	30-1290
8	PLATE, VALVE	1	30-1291
9	DRIVE, VALVE	1	30-1292
10	VALVE	1	30-1293
11	*SEAL, FACE, OUTER	1	30-1294
12	*SEAL, FACE, INNER	1	30-1295
13	SPRING, COMPRESSION	2	30-1296
14	BALANCE RING & PIN ASSEMBLY	1	30-1297
15	*O-RING SEAL, SMALL	1	30-1298

REF#	PARTS DESCRIPTION	REQ	PART #
16	*O-RING SEAL, MEDIUM	1	30-1299
17	*, **O-RING SEAL, LARGE	3	30-1300
18	*O-RING SEAL, TINY	2	30-1301
19	**SEAL, SHAFT	1	30-1302
20	SCREW, CAP, BOTTOM (SHORT)	2	30-1303
21	SCREW, CAP, TOP (LONG)	2	30-1304
22	HOUSING, VALVE	1	30-1305
23	*BALL, STEEL (FOR CHECK PLUG)	2	30-1306
24	*SPRING, COMPRESSION (FOR CHECK PLUG)	2	30-1307
25	*CHECK PLUG ASSEMBLY W/ O-RING	2	30-1308
26	*CASE DRAIN PLUG ASSEMBLY W/ O-RING	1	30-1309
27	**SEAL, SHAFT FACE	1	30-1310
28	SEAL KIT (REAR)	1	33-0070
29	SEAL KIT (SHAFT)	1	33-0071

30-0528 - MOTOR ASSEMBLY

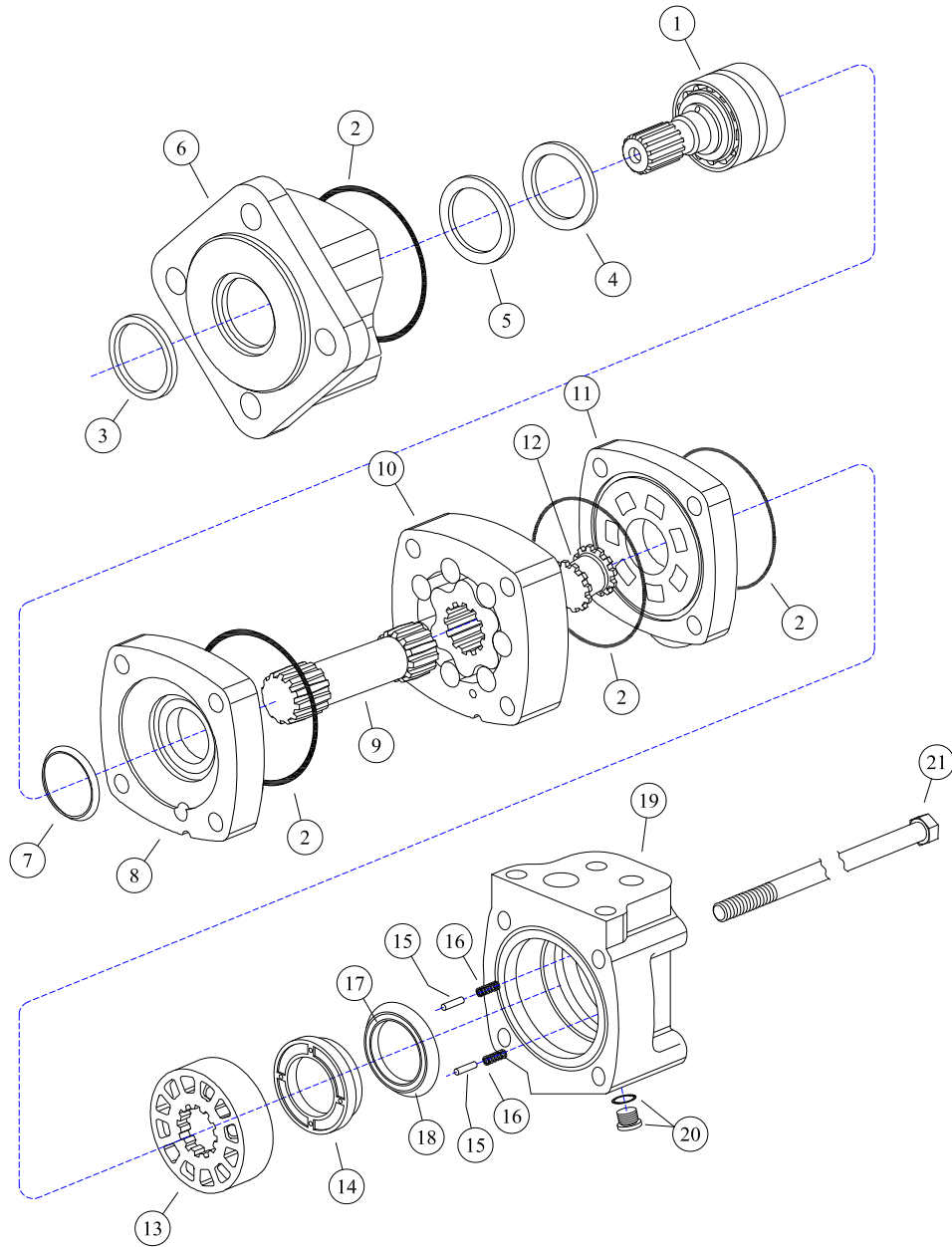


* Part included with item # 22 seal kit

REF#	PARTS DESCRIPTION	REQ	PART #
1	SHAFT & BEARING KIT (1-1/4" SPLINED 14T)	1	30-1311
2	SEAL	4	30-1312
3	SEAL, EXCLUSION	1	30-1313
4	SEAL, SHAFT	1	30-1314
5	RING, BACK-UP	1	30-1315
6	HOUSING, BEARING, DIAGONAL (FOUR BOLT)	1	30-1316
7	SEAL, SHAFT FACE	1	30-1317
8	PLATE, WEAR	1	30-1318
9	DRIVE, MAIN	1	30-1319
10	GEROLER	1	30-1320
11	PLATE, VALVE	1	30-1321
12	DRIVE, VALVE	1	30-1322

REF#	PARTS DESCRIPTION	REQ	PART #
13	VALVE	1	30-1323
14	BALANCE RING	1	30-1324
15	PIN, BALANCE RING	2	30-1325
16	SPRING, COMPRESSION	2	30-1326
17	SEAL, FACE, INNER	1	30-1327
18	SEAL, FACE, OUTER	1	30-1328
19	HOUSING, VALVE	1	30-1329
20	PLUG ASSEMBLY W/ O-RING	1	30-1309
	O-RING	1	30-1330
21	SCREW, CAP	4	30-1331
22	SEAL KIT	1	33-0064

30-0529 - MOTOR ASSEMBLY



* Part included with item # 22 seal kit

REF#	PARTS DESCRIPTION	REQ	PART #
1	SHAFT & BEARING KIT (1-1/4" SPLINED 14T)	1	30-1311
2	SEAL	4	30-1312
3	SEAL, EXCLUSION	1	30-1313
4	SEAL, SHAFT	1	30-1314
5	RING, BACK-UP	1	30-1315
6	HOUSING, BEARING, DIAGONAL (FOUR BOLT)	1	30-1316
7	SEAL, SHAFT FACE	1	30-1317
8	PLATE, WEAR	1	30-1318
9	DRIVE, MAIN	1	30-1319
10	GEROLER	1	30-1320
11	PLATE, VALVE	1	30-1321
12	DRIVE, VALVE	1	30-1322

REF#	PARTS DESCRIPTION	REQ	PART #
13	VALVE	1	30-1323
14	BALANCE RING	1	30-1324
15	PIN, BALANCE RING	2	30-1325
16	SPRING, COMPRESSION	2	30-1326
17	SEAL, FACE, INNER	1	30-1327
18	SEAL, FACE, OUTER	1	30-1328
19	HOUSING, VALVE	1	30-1329
20	PLUG ASSEMBLY W/ O-RING	1	30-1309
	O-RING	1	30-1330
21	SCREW, CAP	4	30-1331
22	SEAL KIT	1	33-0064

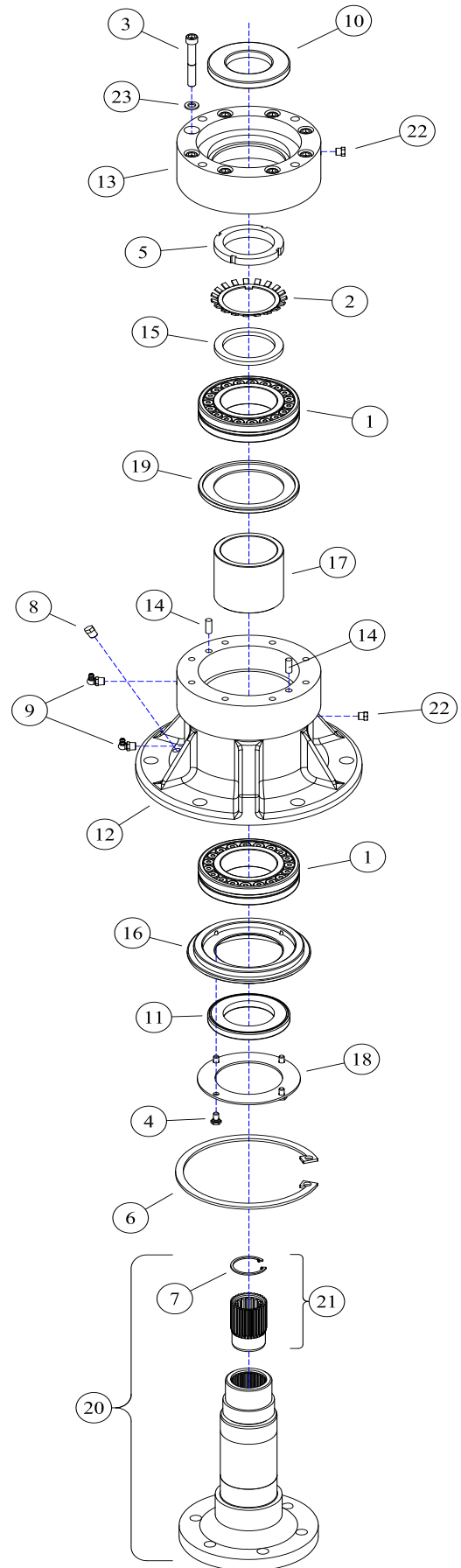
35-0088 - DIRECT DRIVE SPINDLE

Grease with #2 lithium based grease every 500hrs.
Use 10 pumps (.44oz) into each of the two grease zerks.

Warning: Do not overgrease
Overgreasing will cause damage or premature failure of the bearings, housing & seals.

REF#	PARTS DESCRIPTION	REQ	PART #
1	BEARING	2	10-0055
2	LOCKING WASHER	1	11-0048
3	3/8 X 2-3/4 NC SKT HEAD CAPSCREW	8	11-0703
4	1/4 X 1/2 NC CAPSCREW	4	11-0741
5	2-1/2 SPANNER NUT	1	11-1037
6	LARGE SNAP RING	1	11-2021
7	SMALL SNAP RING	1	11-2022
8	PIPE PLUG	1	21-1136
9	1/8 X 90 GREASE ZERK	2	23-0005
10	UPPER SEAL	1	33-0035
11	LOWER SEAL	1	33-0057
12	SPINDLE HOUSING	1	35-0021
13	SEAL/MOTOR MOUNT	1	35-0022
14	ALIGNMENT PIN	2	35-0032
15	SPACER	1	35-0050
16	BOTTOM SEAL PLATE	1	35-0063
17	SPACER	1	35-0064
18	BOTTOM PLATE	1	35-0065
19	GREASE CATCH	1	35-0066
20	SPINDLE SHAFT COMPLETE	1	35-0090
*21	SPLINED INSERT KIT	1	35-0091
22	BREATHER	2	80-1016
23	3/8 LOCK WASHER GR 5	8	11-0005

* The splined insert kit includes the insert removal tool 11-0913.



80-2542 - DIRECT DRIVE WETBLADE™ SPINDLE

The direct drive spindle requires substantially less lubrication than previous versions of mower spindles. Grease with #2 lithium based grease every 500hrs. Use 10 pumps (.44oz) into each of the two grease zerks.

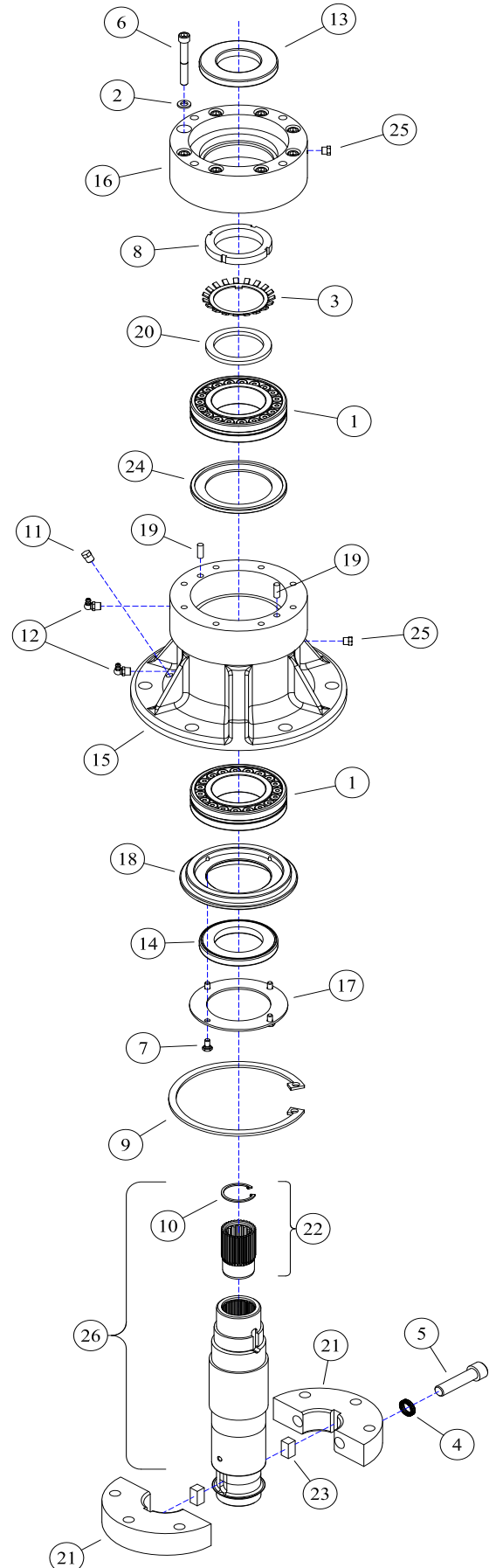
Warning: Do not overgrease

Overgreasing will cause damage or premature failure of the bearings, housing & seals.

REF#	PARTS DESCRIPTION	REQ	PART #
1	BEARING	2	10-0055
2	3/8 LOCK WASHER	8	11-0005
3	LOCKING WASHER	1	11-0048
4	5/8 CARBON STEEL NORD-LOCK	2	11-0053
5	5/8 X 2-1/2 NF SKT HEAD CAPSCREW	2	11-0697
6	3/8 X 2-3/4 NC SKT HEAD CAPSCREW	8	11-0703
7	1/4 X 1/2 NC CAPSCREW	4	11-0741
8	2-1/2 SPANNER NUT	1	11-1037
9	LARGE SNAP RING	1	11-2021
10	SMALL SNAP RING	1	11-2022
11	PIPE PLUG	1	21-1136
12	1/8 X 90 GREASE ZERK	2	23-0005
13	UPPER SEAL	1	33-0035
14	LOWER SEAL	1	33-0040
15	SPINDLE HOUSING	1	35-0021
16	SEAL/MOTOR MOUNT	1	35-0022
17	BOTTOM PLATE	1	35-0025
18	BOTTOM SEAL PLATE	1	35-0030
19	ALIGNMENT PIN	2	35-0032
20	SPACER	1	35-0050
*21	SHAFT CLAMP	1	35-0089
**22	SPLINED INSERT KIT	1	35-0091
23	KEY	2	35-0092
24	GREASE CATCH	1	80-1007
25	BREATHER	2	80-1016
26	SPINDLE SHAFT COMPLETE	1	80-1046

* Item # 21 shaft clamp includes both clamping halves.

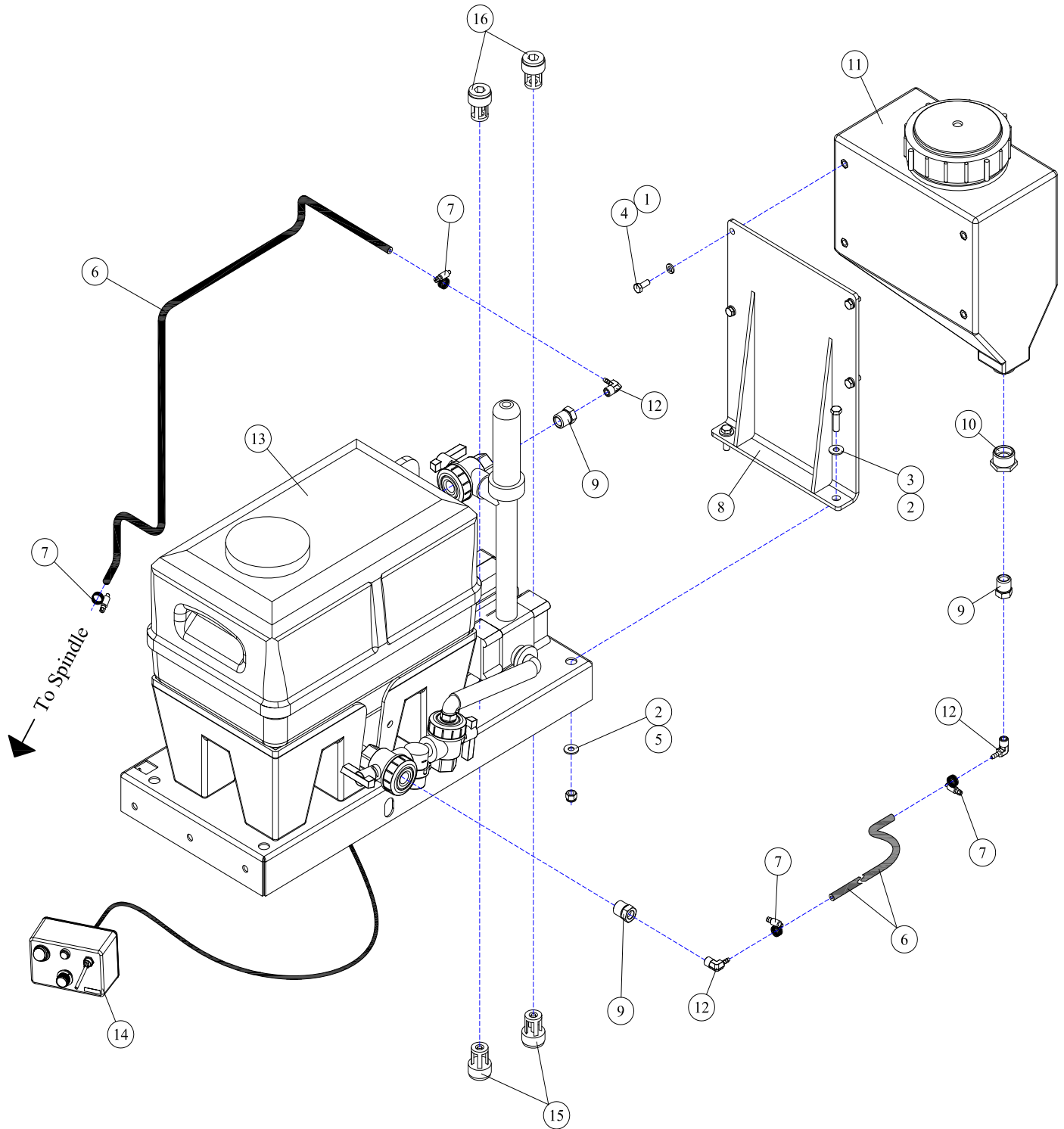
** The splined insert kit includes the insert removal tool 11-0913.



WETBLADE™
ASSEMBLIES



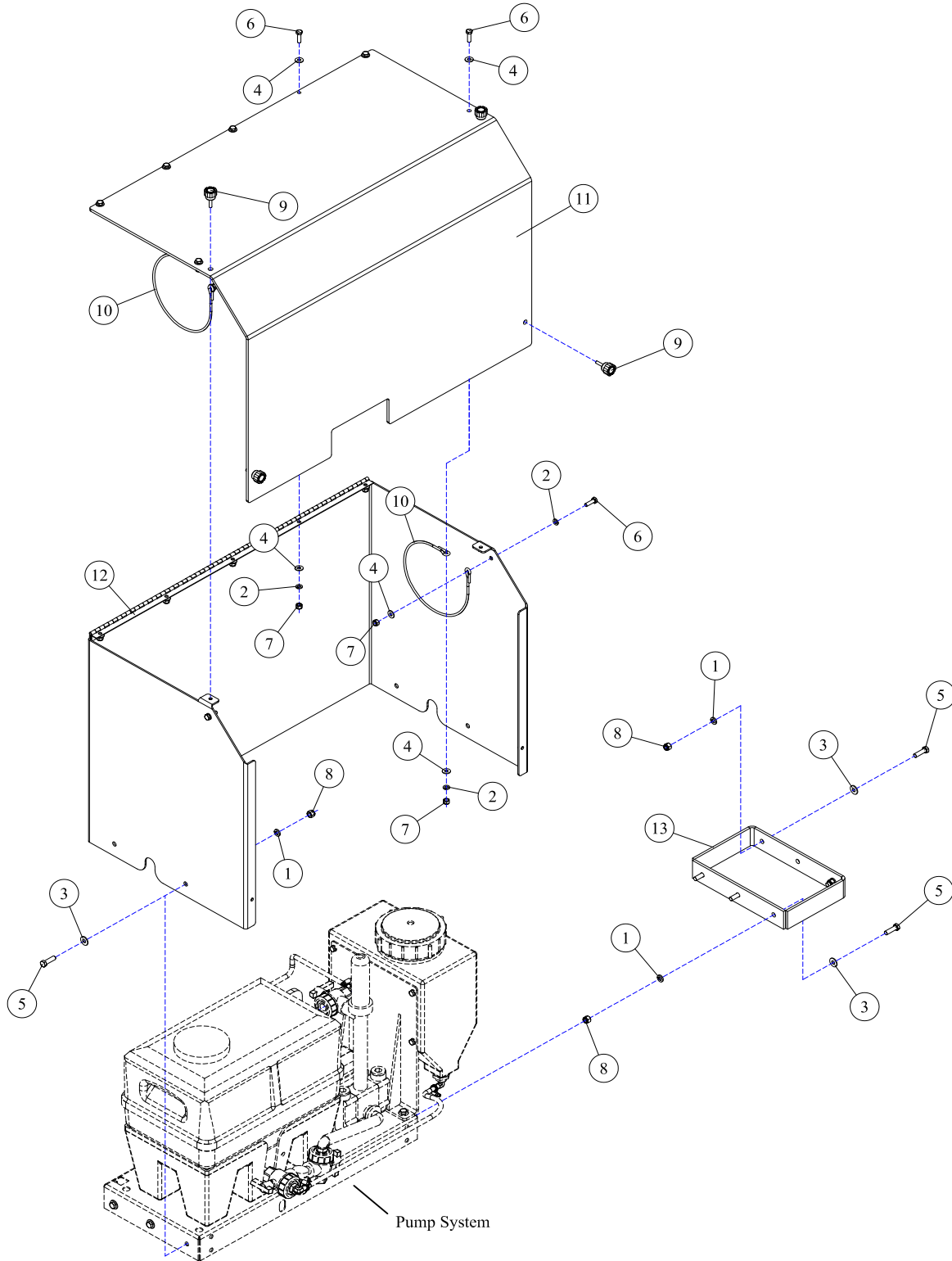
WETBLADE™ PUMP SYSTEM - LOW VOLUME



REF#	PARTS DESCRIPTION	REQ	PART #
1	5/16 LOCK WASHER GR5	4	11-0013
2	5/16 FLAT WASHER GR5	4	11-0015
3	3/8 X 1-1/4 NC HEX CAPSCREW	2	11-0533
4	5/16 X 3/4 NC HEX CAPSCREW	4	11-0596
5	3/8 NC NYLOCK NUT	2	11-1024
6	HOSE, 3/16 FUEL LINE (SOLD/FT)	5	21-0026
7	CLAMP, WORM GEAR	4	21-0027
8	FLUSH TANK BRACKET	1	41-1094

REF#	PARTS DESCRIPTION	REQ	PART #
9	POLY REDUCER BUSHING, 1/2FP X 1/4MP	3	80-2101
10	POLY REDUCER BUSHING, 3/4 X 1/2FP	1	80-2103
11	3 GALLON FLUSH TANK	1	80-2104
12	1/4NPT X 3/16 BARBED-90DEG, ADAPTER	3	80-2540
13	WETBLADE CONTROL SYSTEM-LOW FLOW	1	80-6012
14	ANALOG CONTROL ASSEMBLY	1	063-0173-592
15	CARTRIDGE, INTAKE	2	80-6020
16	CARTRIDGE, DISCHARGE	2	80-6021

WETBLADE™ PUMP SYSTEM - ENCLOSURE



REF#	PARTS DESCRIPTION	REQ	PART #
1	3/8 LOCK WASHER GR5	8	11-0005
2	5/16 LOCK WASHER GR 5	9	11-0013
3	5/16 FLAT WASHER GR5	8	11-0015
4	1/4 FLAT WASHER GR 5	16	11-0023
5	3/8 X 1-1/4 NC HEX CAPSCREW	8	11-0533
6	5/16 X 1 NC HEX CAPSCREW	9	11-0543
7	5/16 NC NYLOCK NUT	9	11-1023

REF#	PARTS DESCRIPTION	REQ	PART #
8	3/8 NC NYLOCK NUT	8	11-1024
9	1/4 THUMB SCREW	4	11-2035
10	3/16 X 26-1/2 CABLE ASSEMBLY	2	12-0075
11	1/4 POLY SHIELD	1	20-0529
12	PUMP COVER	1	41-1093
13	WETBLADE COVER BRACKET	1	41-1095

(PAGE INTENTIONALLY BLANK)



**100% SATISFACTION
GUARANTEE**
★ GET IT, LOVE IT, *or* LEAVE IT! ★

**72-HOUR PARTS
SHIPPING GUARANTEE**